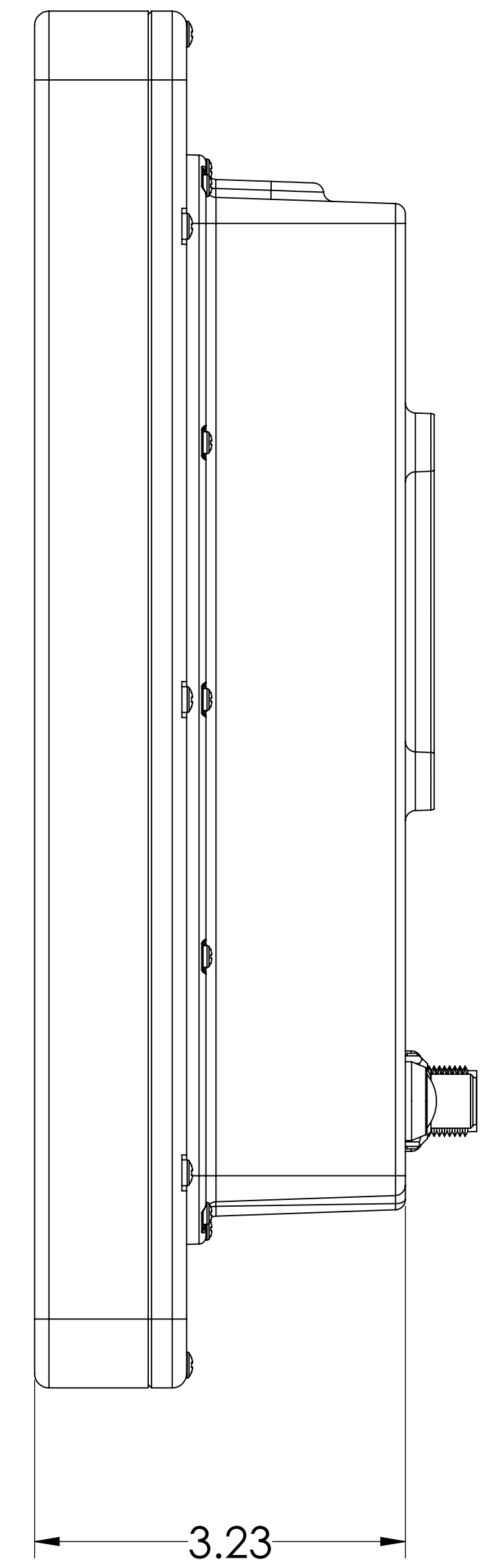
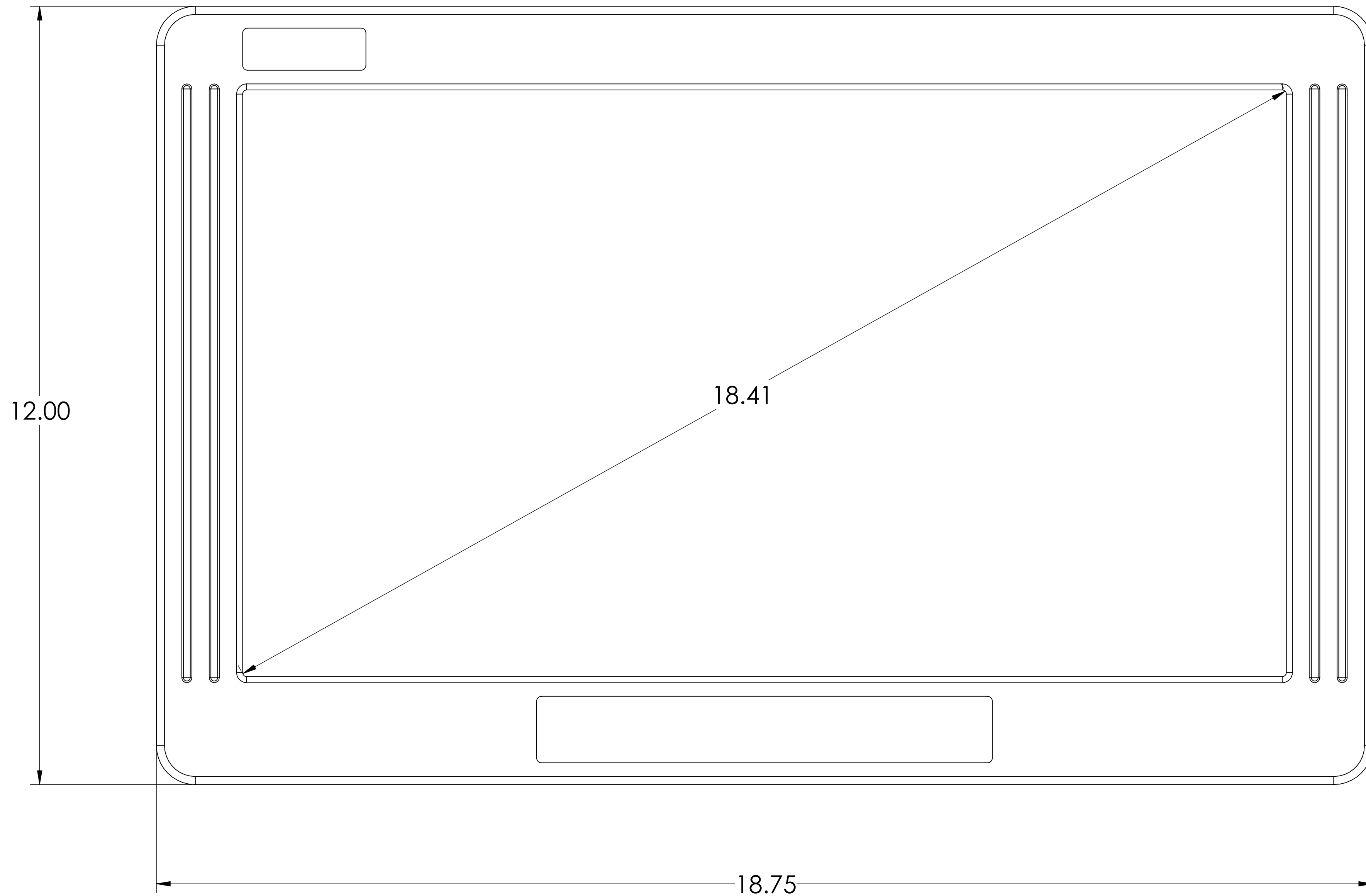


LT#	DATE	ECO	DESCRIPTION	DRAWN	ENGRG	ENGRG MANAGER
1	04-25-19		PRELIMINARY RELEASE	DRS	DRS	



ITEM NO.	QTY. REQD.	FSCM NO.	PART OF IDENTIFYING NO.	NOMINCLATURE OR DESCRIPTION	MATERIAL SPECIFICATION
PARTS LIST					
UNLESS OTHERWISE SPECIFIED TOLERANCES ARE:			MATERIAL		
LINEAR		INCH			
X.XXX	±	.005			± .030
X.XX	±	.010			± .100
X.X	±	.030			± .300
X	±	.060			± 1.000
ANGULAR	±	0.5°			± 0.5°
SURFACE		63 μ INCH			1.6 μ m
THIRD ANGLE PROJECTION			THIS DRAWING CONTAINS CONFIDENTIAL INFORMATION PROPRIETARY TO CITADEL COMPUTER CORPORATION. IT MUST NOT BE REPRODUCED OR DISCLOSED TO OTHERS OR USED IN ANY OTHER WAY, IN WHOLE OR IN PART, EXCEPT AS AUTHORIZED IN WRITING BY CITADEL COMPUTER CORPORATION.		
CITADEL COMPUTER CORPORATION		CITADEL COMPUTER CORP. 16 Columbia Drive, Amherst NH		REV. 1	
DRAWING NAME		NetFORCE-18XPR Mechanical Diagram		DWG. NO.	
D		FSCM NO.		SHEET 1 of 3	
SCALE 7:8		DO NOT SCALE DRAWING		1	

DWG. NO. NetFORCE-18XPR 1

4

3

2

1

D

D

C

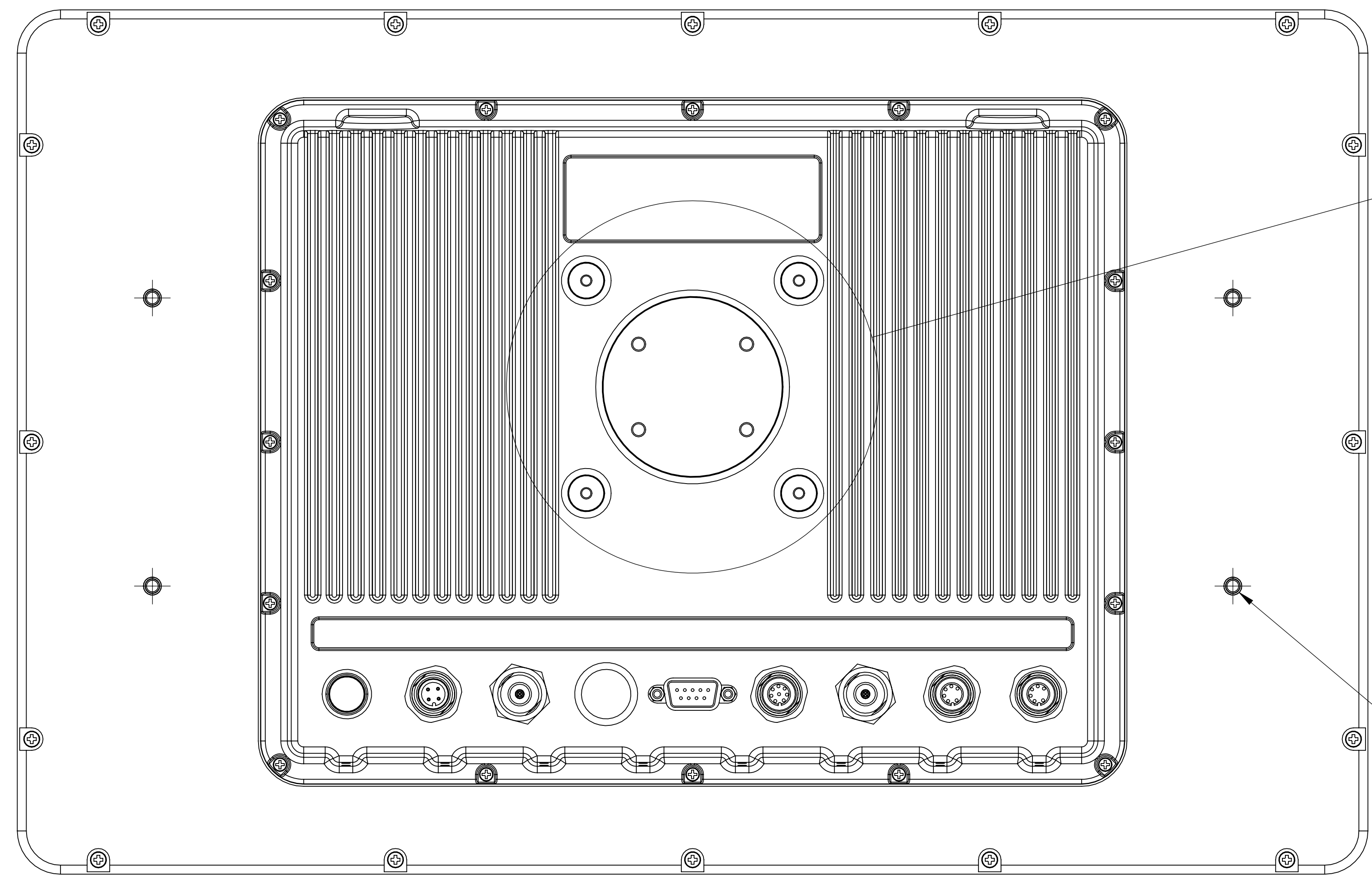
C

B

B

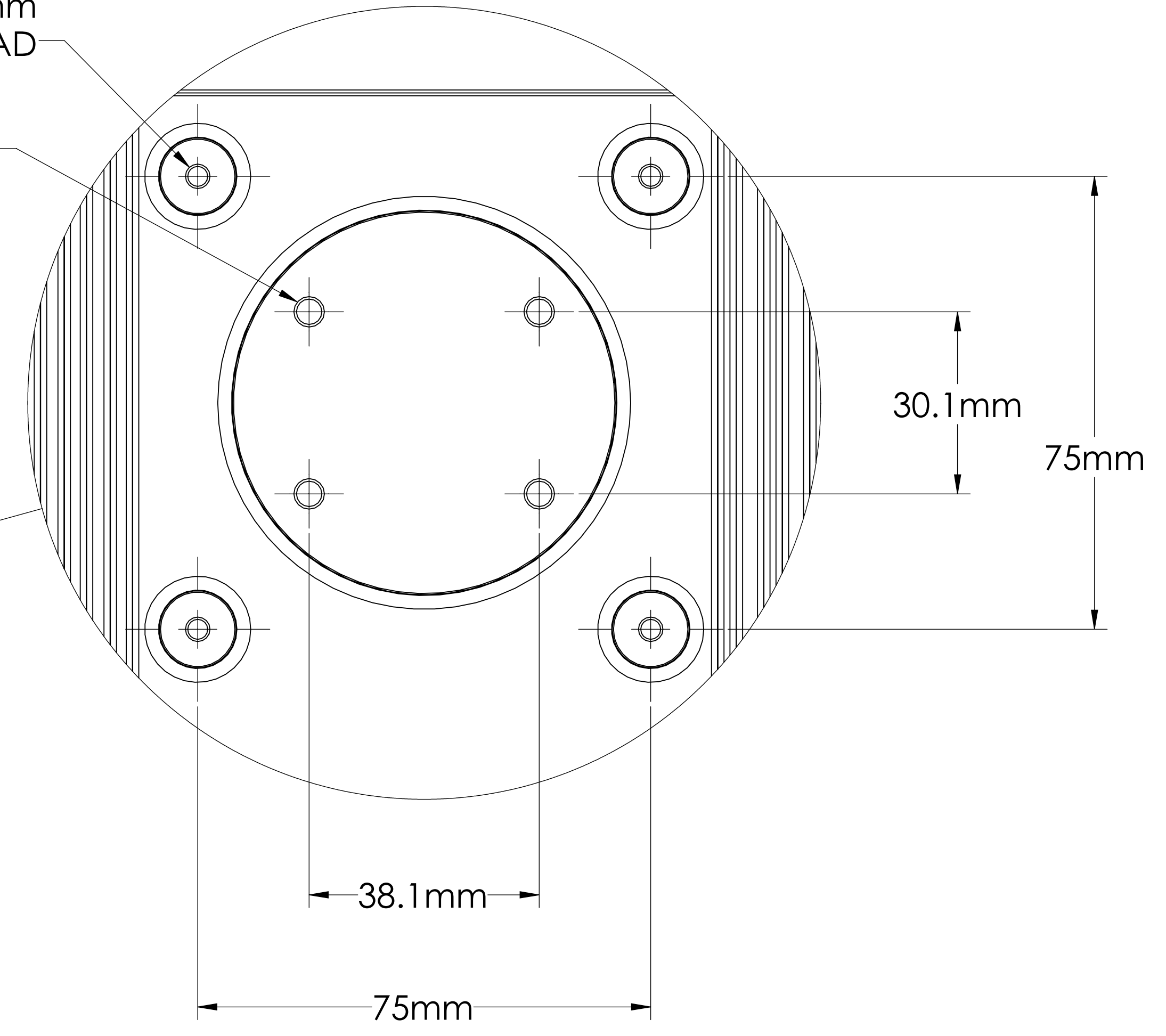
A

A



4X M4 X 0.7, ∇ 8mm
MOUNTING THREAD

4X M5 X 0.8, ∇ 10mm
MOUNTING THREAD



DETAIL A
SCALE 1.5 : 1

4X M5 X 0.8, ∇ 7mm
BRACKET MOUNTING

4

3

2

1

D

D

C

C

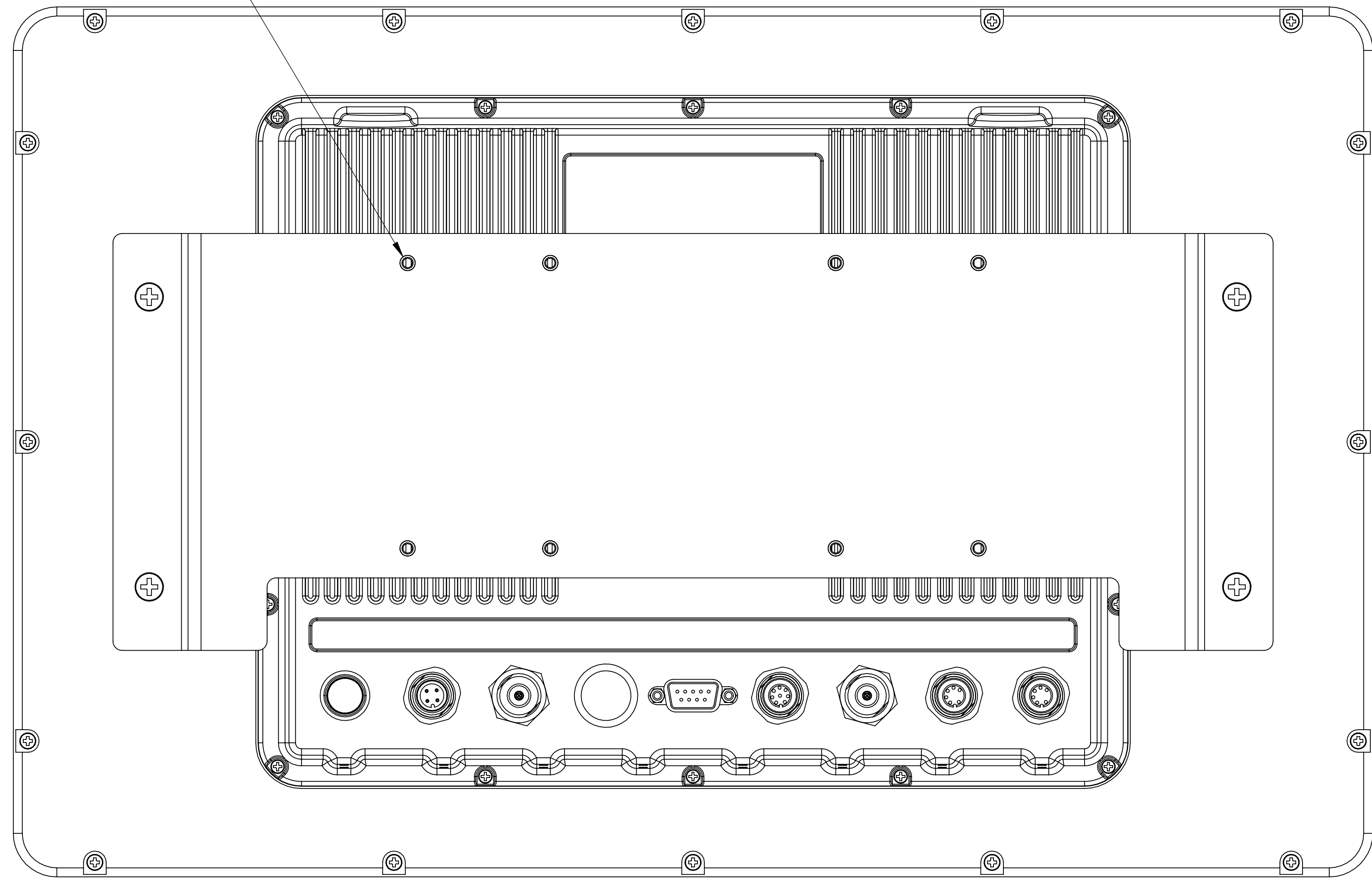
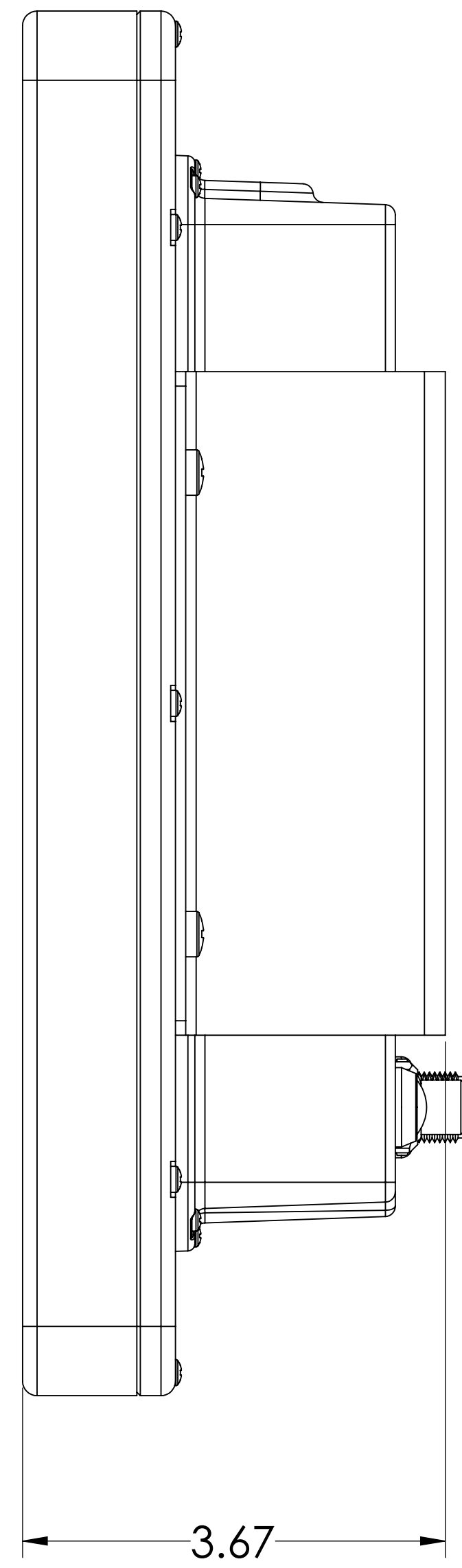
B

B

A

A

8X M4 X 0.7 THRU
MOUNTING THREAD



CITADEL COMPUTER CORPORATION		CITADEL COMPUTER CORP. 16 Columbia Drive, Amherst NH	
DRAWING NAME		NetFORCE-18XPR Mechanical Diagram	
SIZE	PSCM NO.	DWG. NO.	REV.
D		NetFORCE-18XPR	1
SCALE	7:8	DO NOT SCALE DRAWING	SHEET 3 of 3