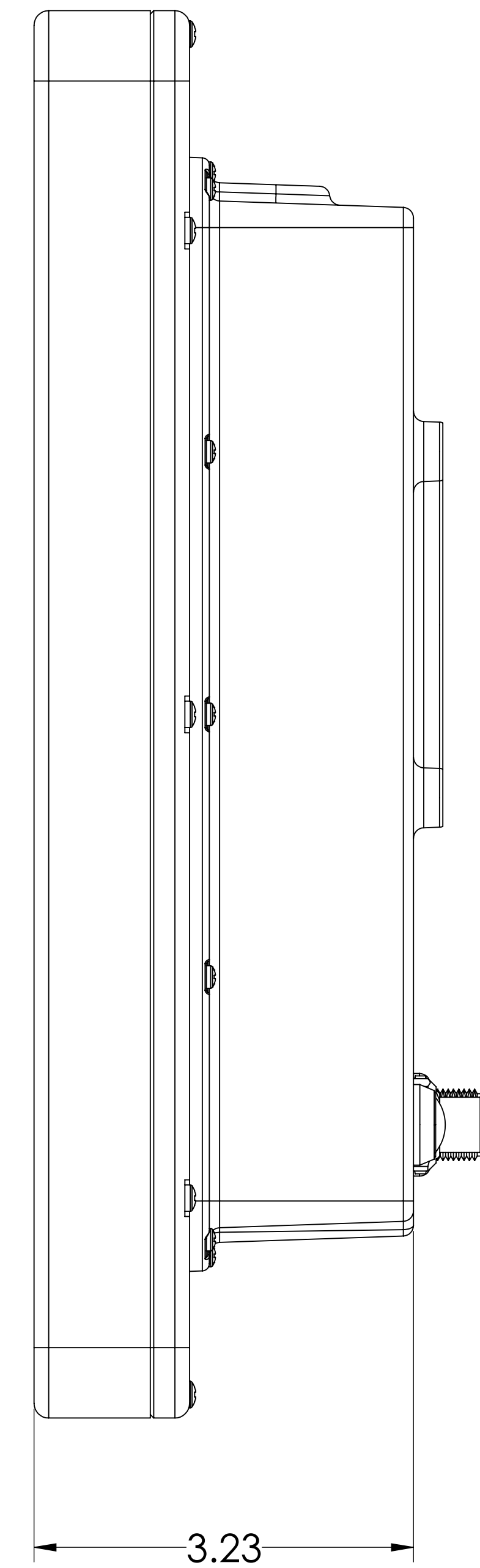
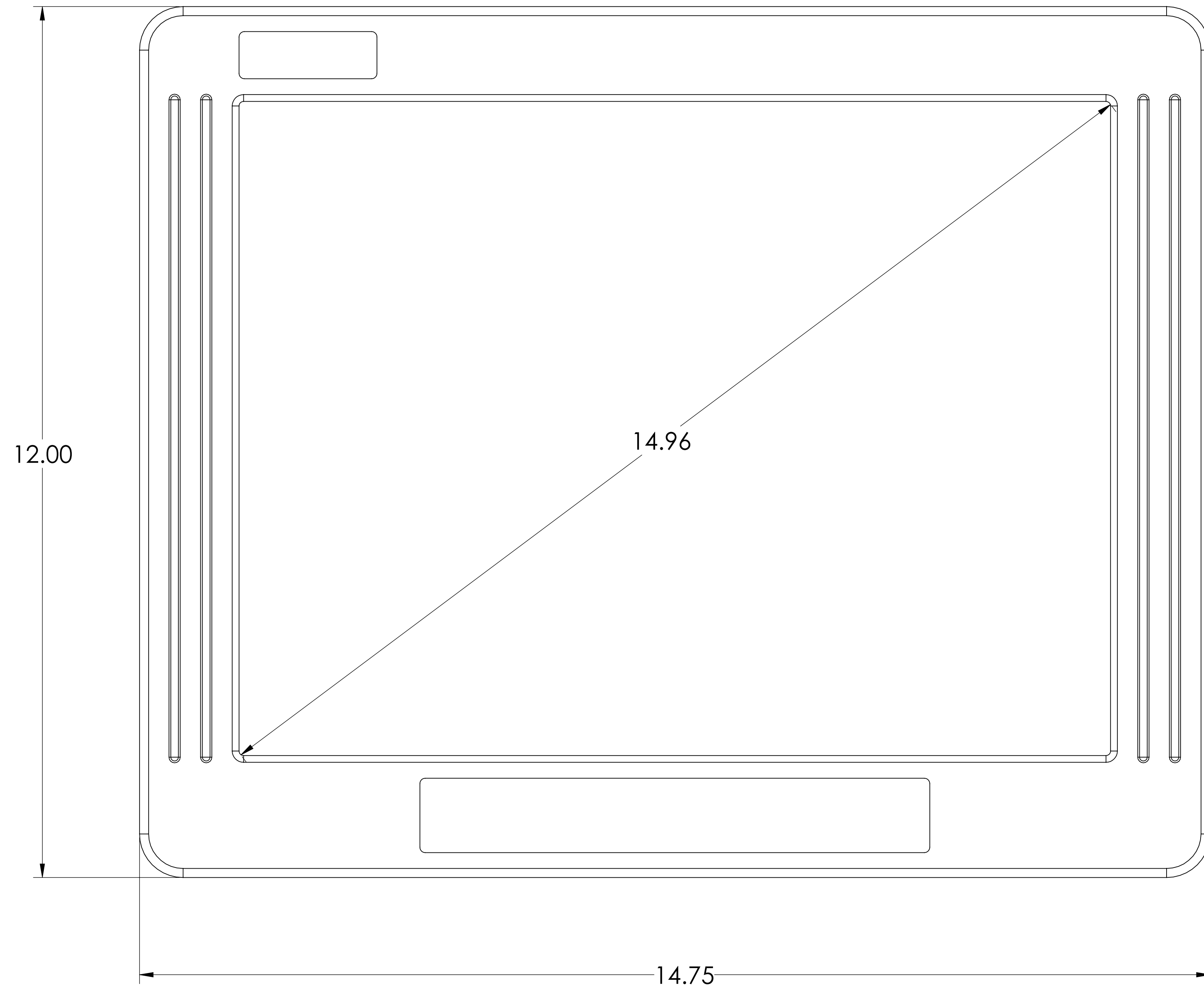


| LT# | DATE | ECO | DESCRIPTION | DRAWN | ENGRG | ENGRG MANAGER |
|-----|----------|-----|---------------------|-------|-------|---------------|
| 1 | 04-25-19 | | PRELIMINARY RELEASE | DRS | DRS | |



| | | | | | |
|---|------------|---|--|-----------------------------|------------------------|
| ITEM NO. | QTY. REQD. | FSCM NO. | PART OF IDENTIFYING NO. | NOMENCLATURE OR DESCRIPTION | MATERIAL SPECIFICATION |
| PARTS LIST | | | | | |
| UNLESS OTHERWISE SPECIFIED, TOLERANCES ARE: | | | MATERIAL | | |
| LINEAR | | | INCH | MM | |
| X.XXX | ± | .005 | ± | .030 | |
| X.XX | ± | .010 | ± | .100 | |
| X.X | ± | .030 | ± | .300 | |
| X | ± | .060 | ± | 1.000 | |
| ANGULAR | ± | 0.5° | ± | 0.5° | |
| SURFACE | | 63 μ INCH | | 1.6 μ m | |
| THIRD ANGLE PROJECTION | | | THIS DRAWING CONTAINS CONFIDENTIAL INFORMATION PROPRIETARY TO CITADEL COMPUTER CORPORATION. IT MUST NOT BE REPRODUCED OR DISCLOSED TO OTHERS OR USED IN ANY OTHER WAY, IN WHOLE OR IN PART, EXCEPT AS AUTHORIZED IN WRITING BY CITADEL COMPUTER CORPORATION. | | |
| CITADEL COMPUTER CORPORATION | | CITADEL COMPUTER CORP. 16 Columbia Drive, Amherst NH | | DRAWING NAME | |
| | | NetFORCE-15XPR | | Mechanical Diagram | |
| SIZE | FSCM NO. | DWG. NO. | REV. | | |
| D | | | 1 | | |
| SCALE | 1:1 | DO NOT SCALE DRAWING | SHEET | 1 of 2 | |

4

3

2

1

D

D

C

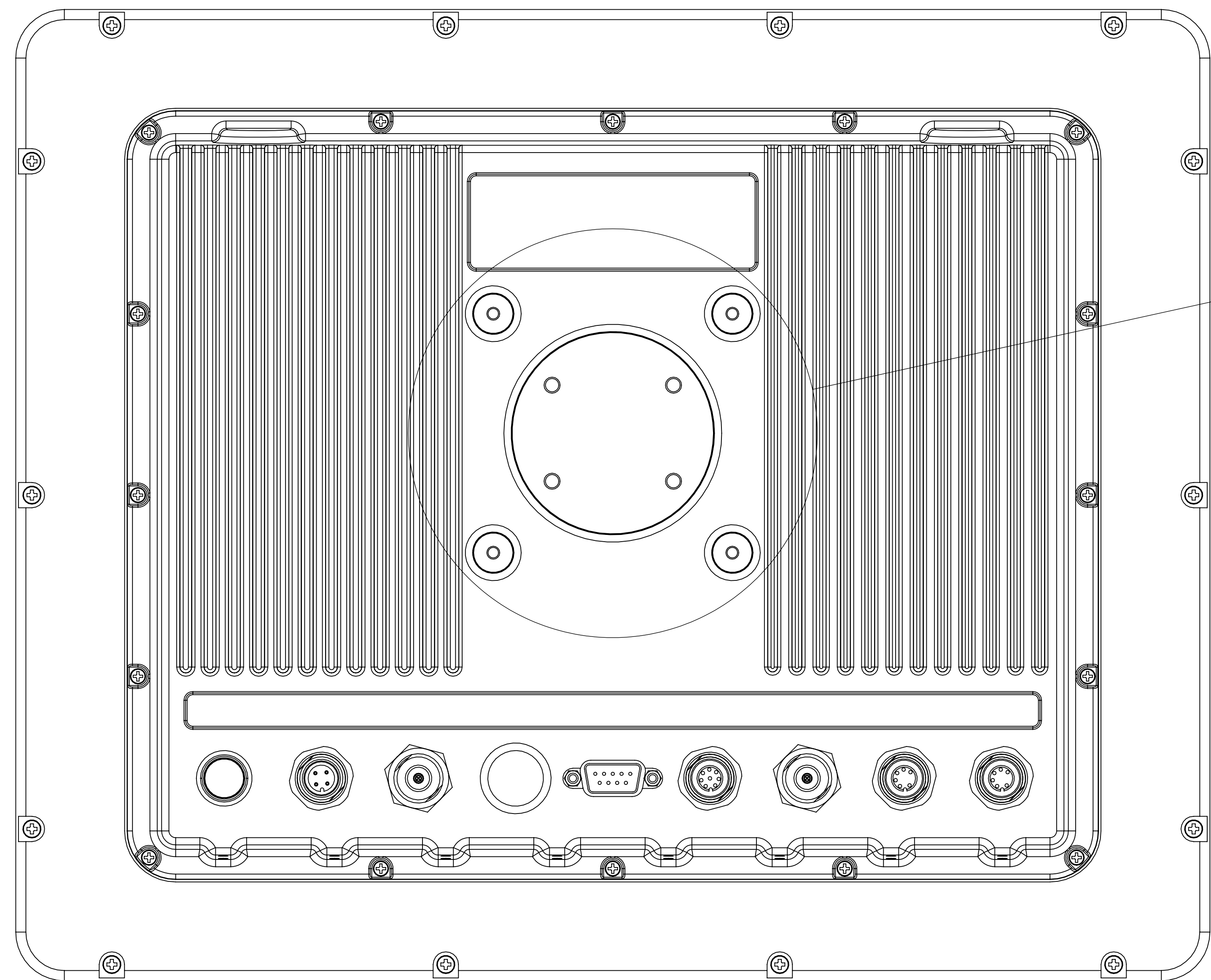
C

B

B

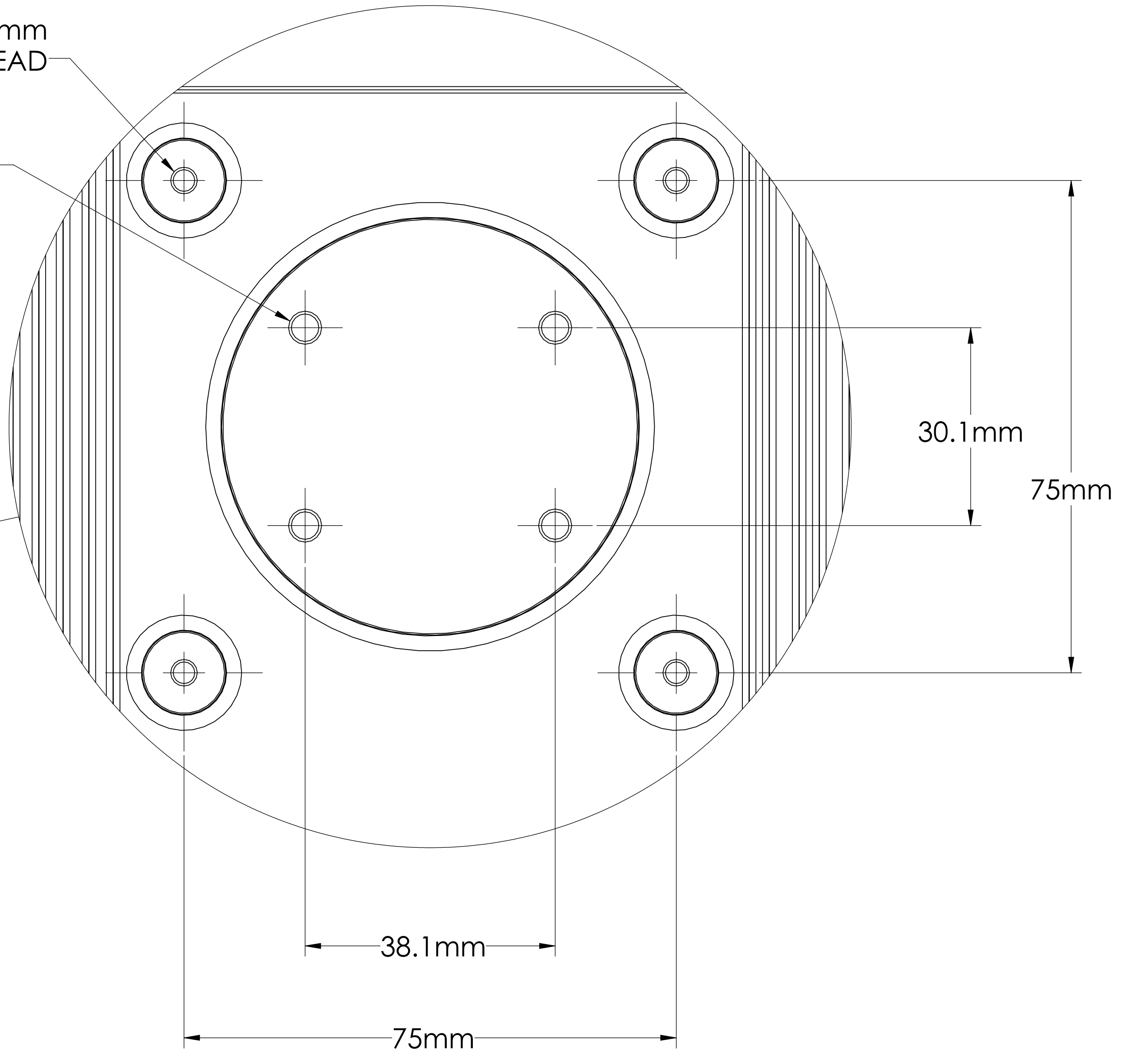
A

A



4X M4 X 0.7, ∇ 8mm
MOUNTING THREAD

4X M5 X 0.8, ∇ 10mm
MOUNTING THREAD



DETAIL A
SCALE 2 : 1

| | | | |
|--|----------|---|--------------|
| CITADEL COMPUTER CORPORATION | | CITADEL COMPUTER CORP. 16 Columbia Drive, Amherst NH | |
| DRAWING NAME | | NetFORCE-15XPR Mechanical Diagram | |
| SIZE | PSCM NO. | DWG. NO. | REV. |
| D | | NetFORCE-15XPR | 1 |
| SCALE | 1:1 | DO NOT SCALE DRAWING | SHEET 2 of 2 |

DWG. NO.
NetFORCE-15XPR
REV. 1