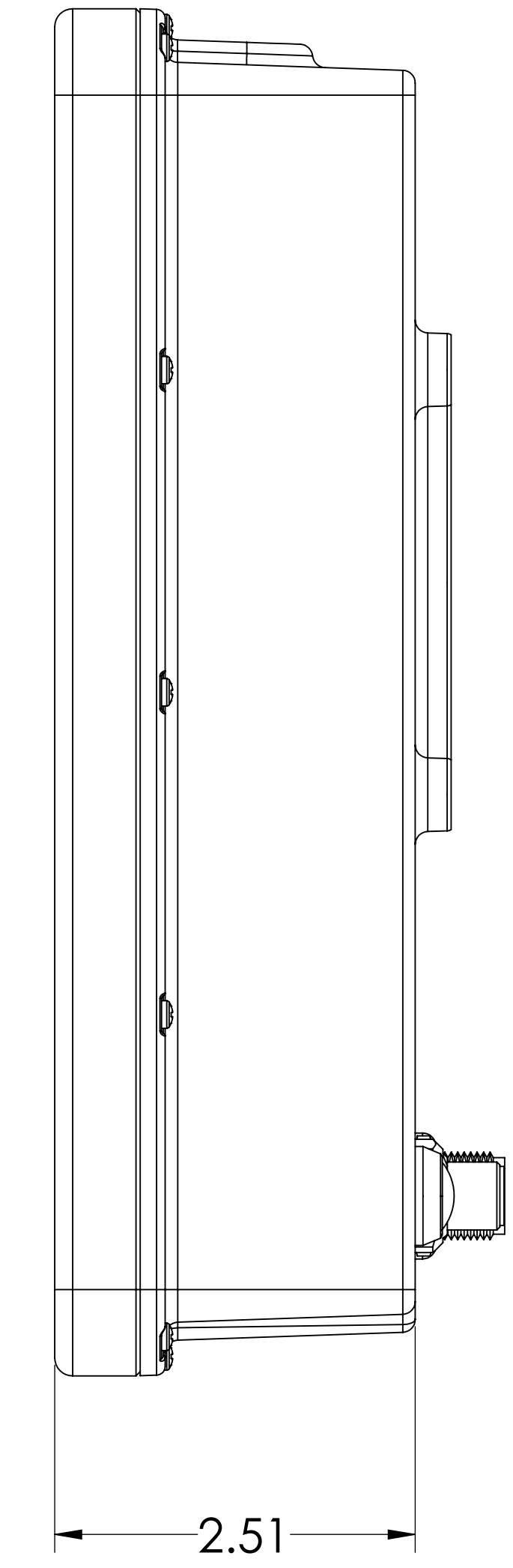
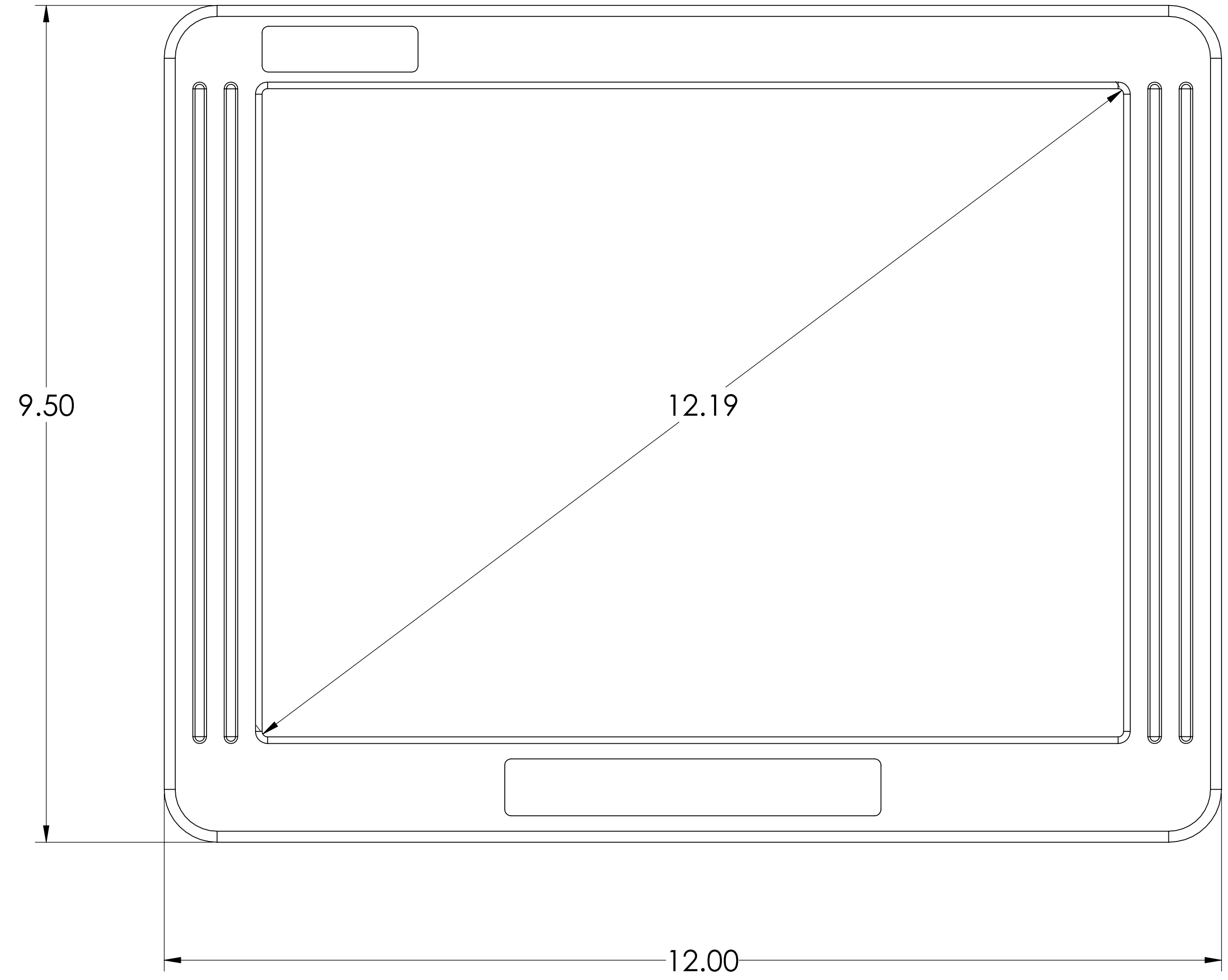


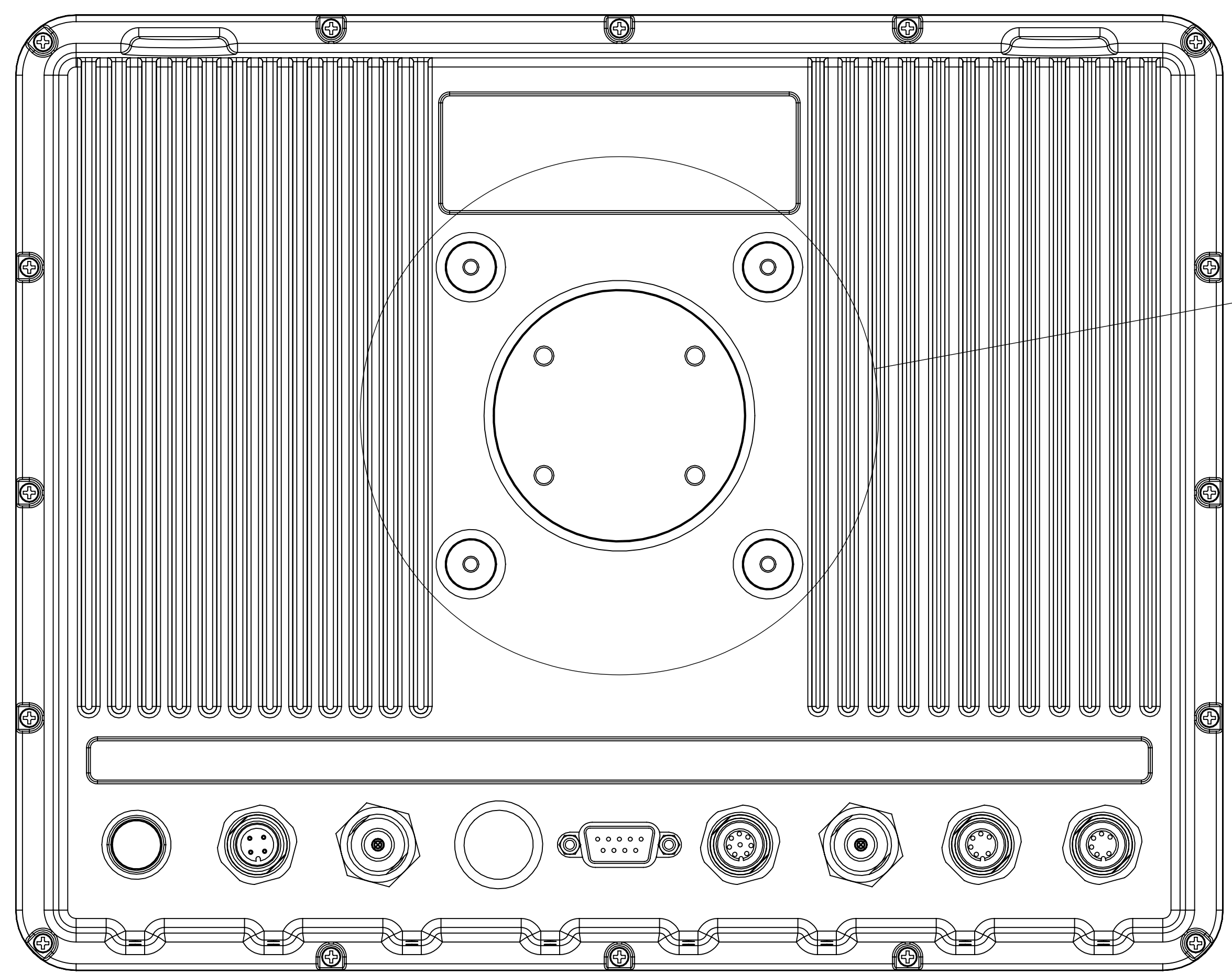
LT#	DATE	ECO	DESCRIPTION	DRAWN	ENGRG	ENGRG MANAGER
1	04-25-19		PRELIMINARY RELEASE	DRS	DRS	



ITEM NO.	QTY. REQD.	FSCM NO.	PART OF IDENTIFYING NO.	NOMINCLATURE OR DESCRIPTION	MATERIAL SPECIFICATION
PARTS LIST					
UNLESS OTHERWISE SPECIFIED, TOLERANCES ARE:			MATERIAL		
LINEAR		INCH			
X.XXX	±	.005			± .030
X.XX	±	.010			± .100
X.X	±	.030			± .300
X	±	.060			± 1.000
ANGULAR	±	0.5°			± 0.5°
SURFACE		63 μ INCH			1.6 μ m

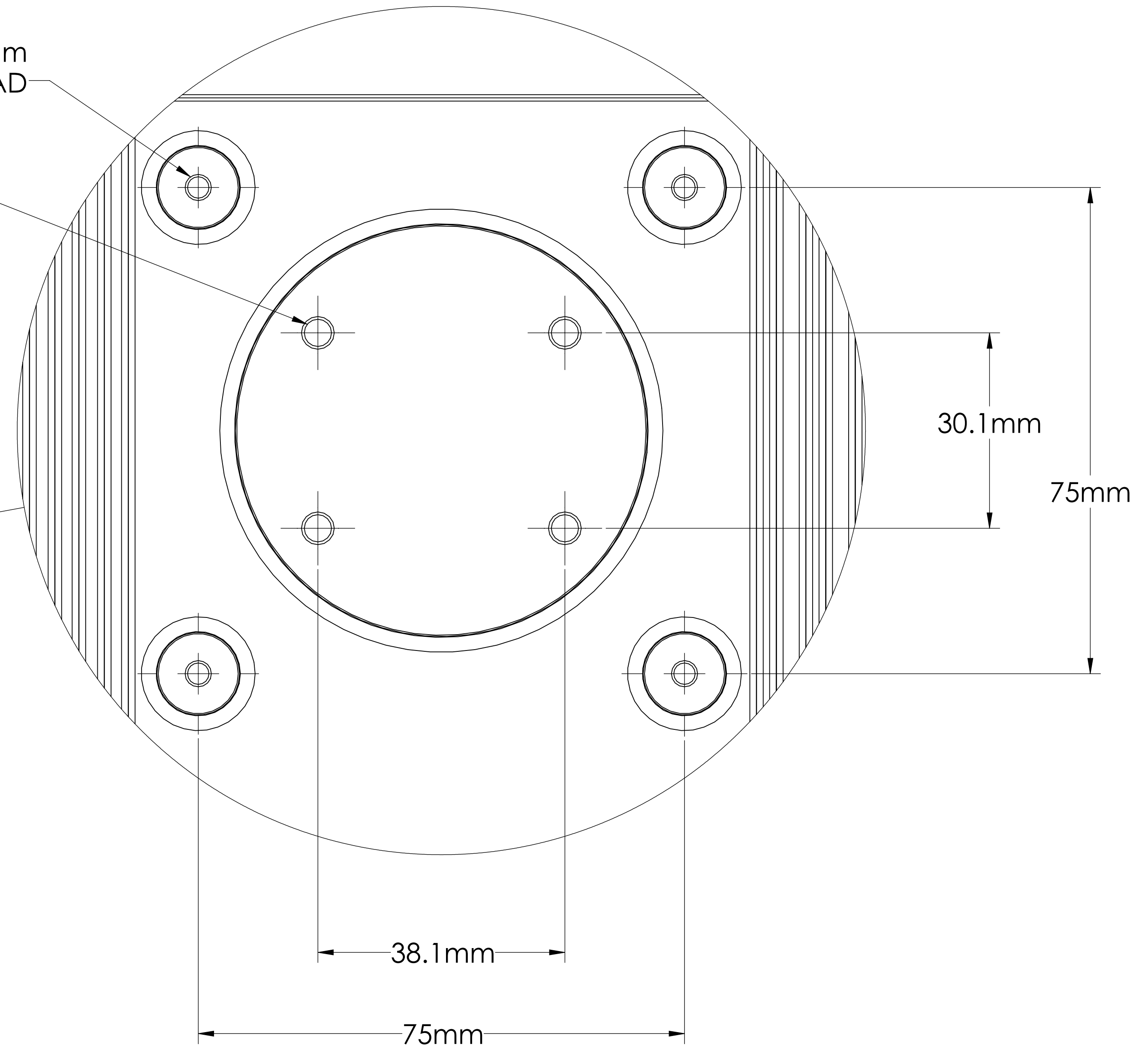
		<p>THIS DRAWING CONTAINS CONFIDENTIAL INFORMATION PROPRIETARY TO CITADEL COMPUTER CORPORATION. IT MUST NOT BE REPRODUCED OR DISCLOSED TO OTHERS OR USED IN ANY OTHER WAY, IN WHOLE OR IN PART, EXCEPT AS AUTHORIZED IN WRITING BY CITADEL COMPUTER CORPORATION.</p>	
<p>CITADEL COMPUTER CORPORATION</p>		<p>CITADEL COMPUTER CORP. 16 Columbia Drive, Amherst NH</p>	
<p>DRAWING NAME</p> <p>NetFORCE-12XPR Mechanical Diagram</p>		<p>SIZE</p> <p>D</p>	<p>FSCM NO.</p> <p></p>
<p>SCALE</p> <p>1:1</p>		<p>DO NOT SCALE DRAWING</p>	<p>SHEET</p> <p>1 of 2</p>

DWG NO. NetFORCE-12XPR 1 REV



4X M4 X 0.7, ∇ 8mm
MOUNTING THREAD

4X M5 X 0.8, ∇ 10mm
MOUNTING THREAD



DETAIL A
SCALE 2 : 1