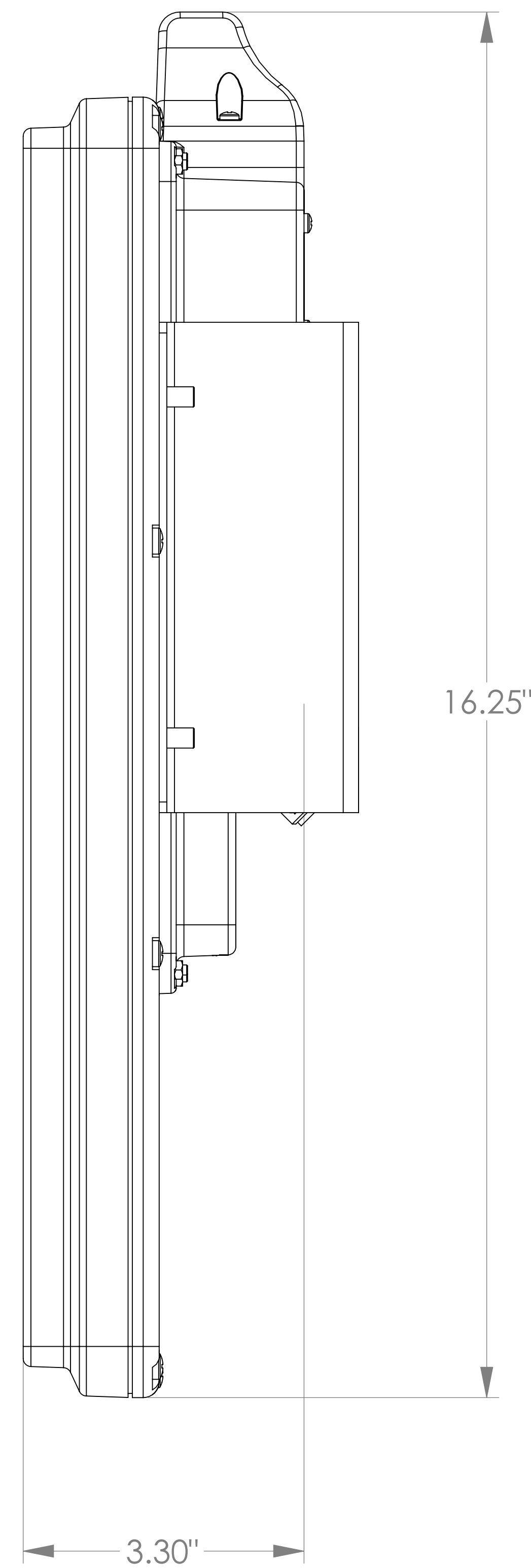
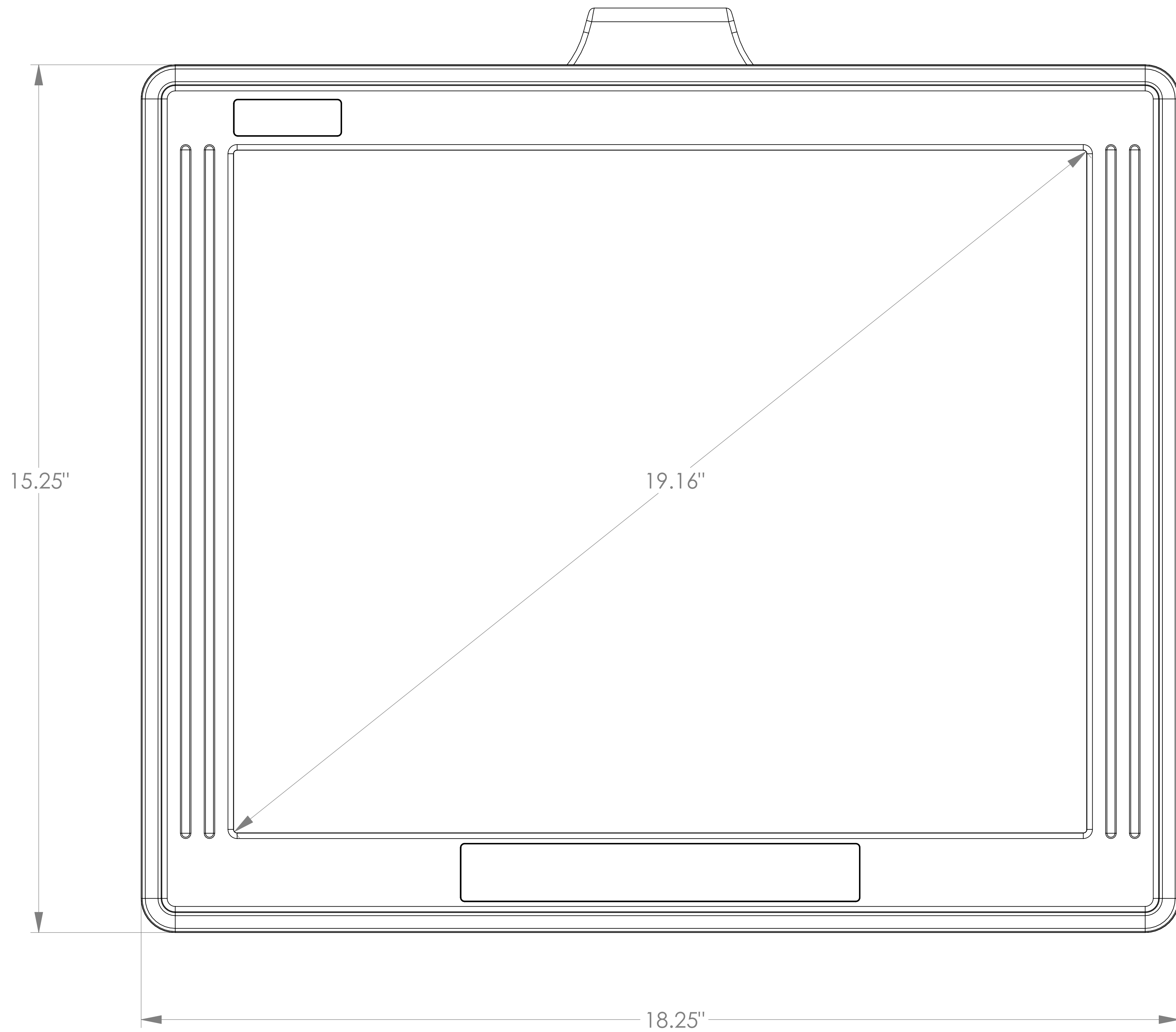


ITR	DATE	ECO	DESCRIPTION	DRAWN	ENGRG	ENGRG MANAGER
1	02-02-12		RELEASE VERSION-1	DRS	DRS	



ITEM NO.	QTY. REQD.	FSCM NO.	PART OF IDENTIFYING NO.	NOMINCLATURE OR DESCRIPTION	MATERIAL SPECIFICATION
PARTS LIST					
UNLESS OTHERWISE SPECIFIED TOLERANCES ARE:			MATERIAL		
LINEAR		INCH		mm	
X.XXX	±	.005	±	.050	
X.XX	±	.010	±	.100	
X.X	±	.030	±	.300	
X	±	.060	±	1.000	
ANGULAR	±	0.5°	±	0.5°	
SURFACE	±	63 / μ INCH	±	1.6 / μ m	

THIS DRAWING CONTAINS CONFIDENTIAL INFORMATION PROPRIETARY TO CITADEL COMPUTER CORPORATION. IT MUST NOT BE REPRODUCED OR DISCLOSED TO OTHERS OR USED IN ANY OTHER WAY, IN WHOLE OR IN PART, EXCEPT AS AUTHORIZED IN WRITING BY CITADEL COMPUTER CORPORATION.

CITADEL COMPUTER CORPORATION
 60A State Route 101A, Amherst NH

DRAWING NAME
NetFORCE-19 Mechanical Diagram

SIZE: D FSCM NO. DWG. NO. NF-19 MCH V1 REV. 1

SCALE: 1:1 DO NOT SCALE DRAWING SHEET 1 of 3

4

3

2

1

D

D

C

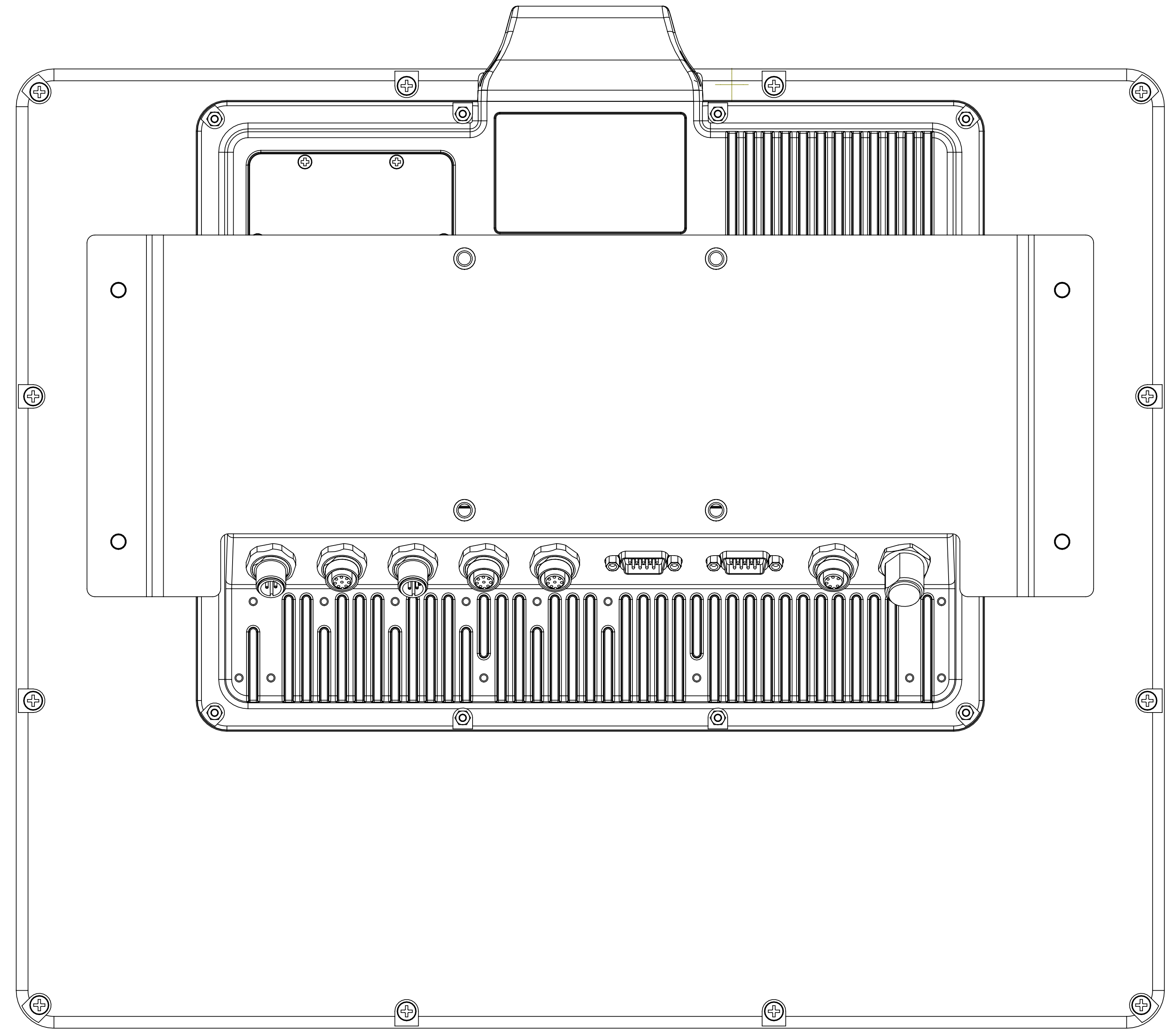
C

B

B

A

A



4

3

2

1

CITADEL COMPUTER CORP. 60A State Route 101A, Amherst NH			
DRAWING NAME NetFORCE-19 Mechanical Diagram			
SIZE D	PSCM NO.	DWG. NO. NF-19 MCH V1	REV. 1
SCALE 1:1	DO NOT SCALE DRAWING		SHEET 2 of 3

4

3

2

1

D

D

C

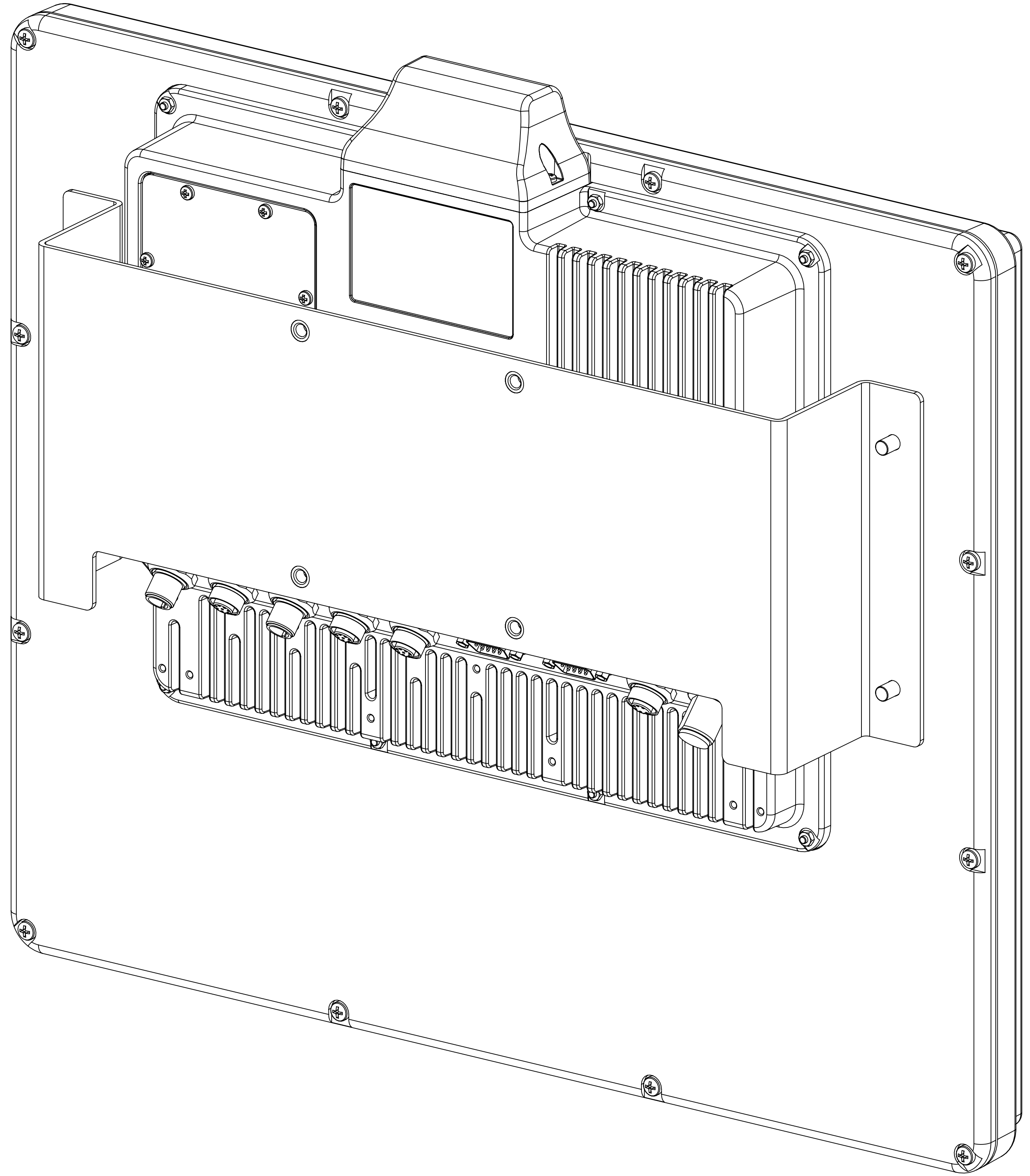
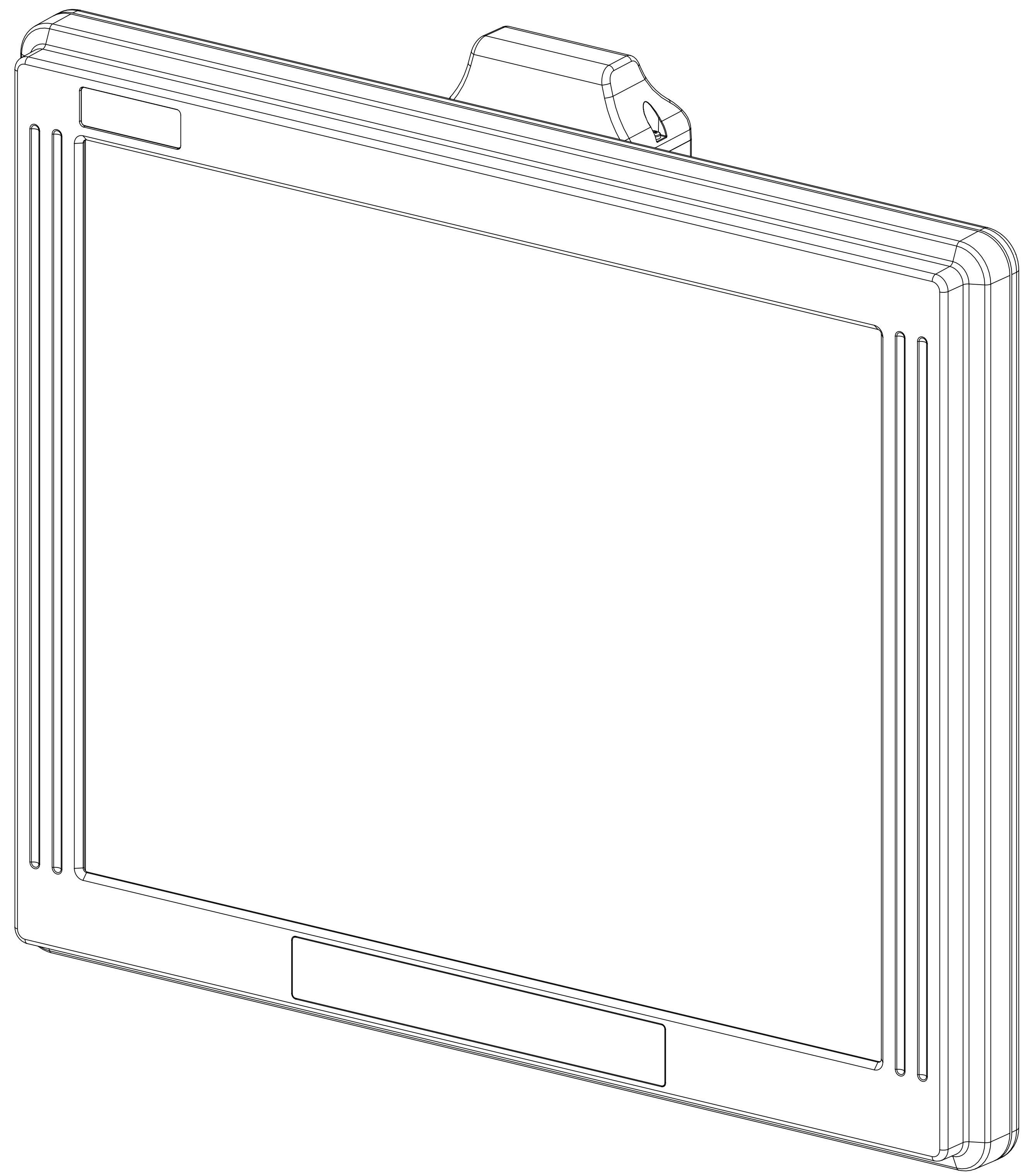
C

B

B

A

A



4

3

2

1

CITADEL COMPUTER CORP. 60A State Route 101A, Amherst NH			
DRAWING NAME NetFORCE-19 Mechanical Diagram			
SIZE D	PSCM NO.	DWG. NO. NF-19 MEC V1	REV. 1
SCALE 1:1	DO NOT SCALE DRAWING		SHEET 3 of 3