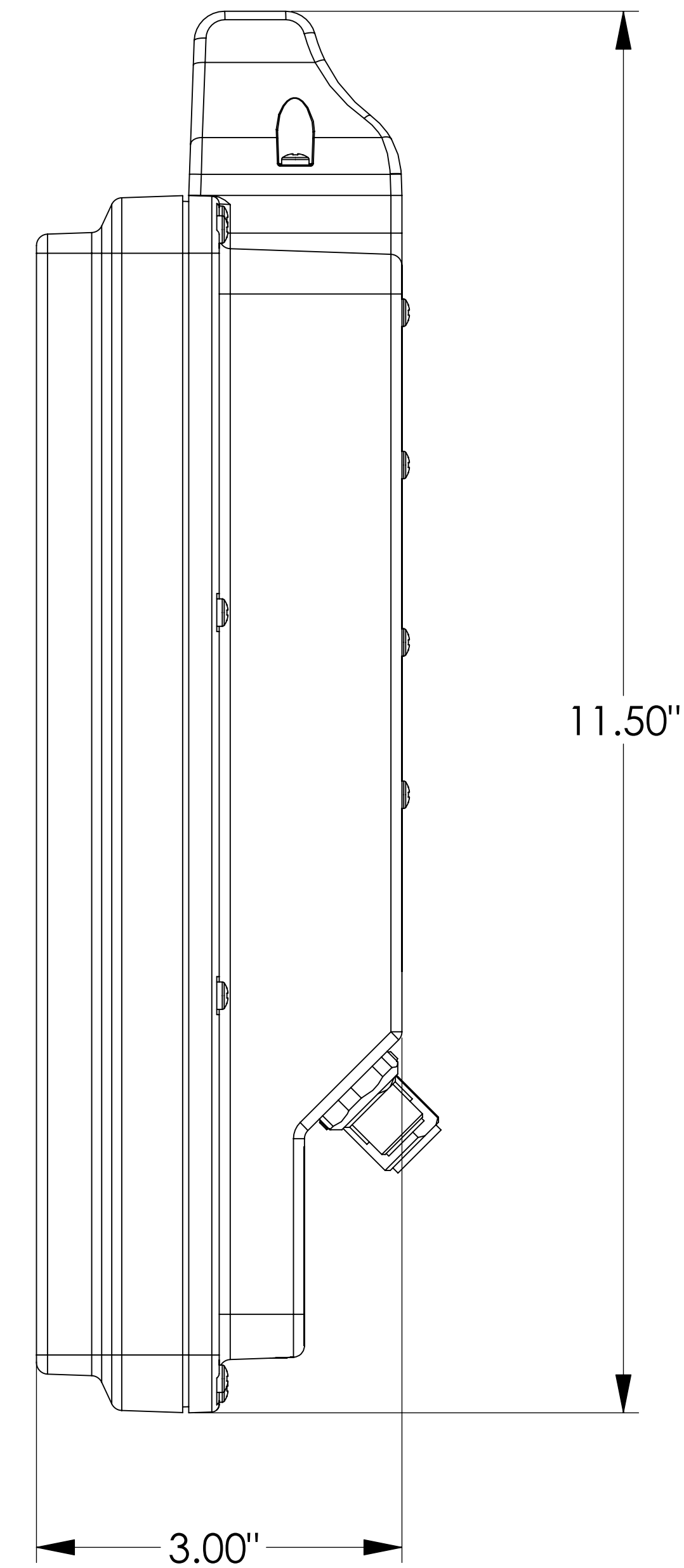
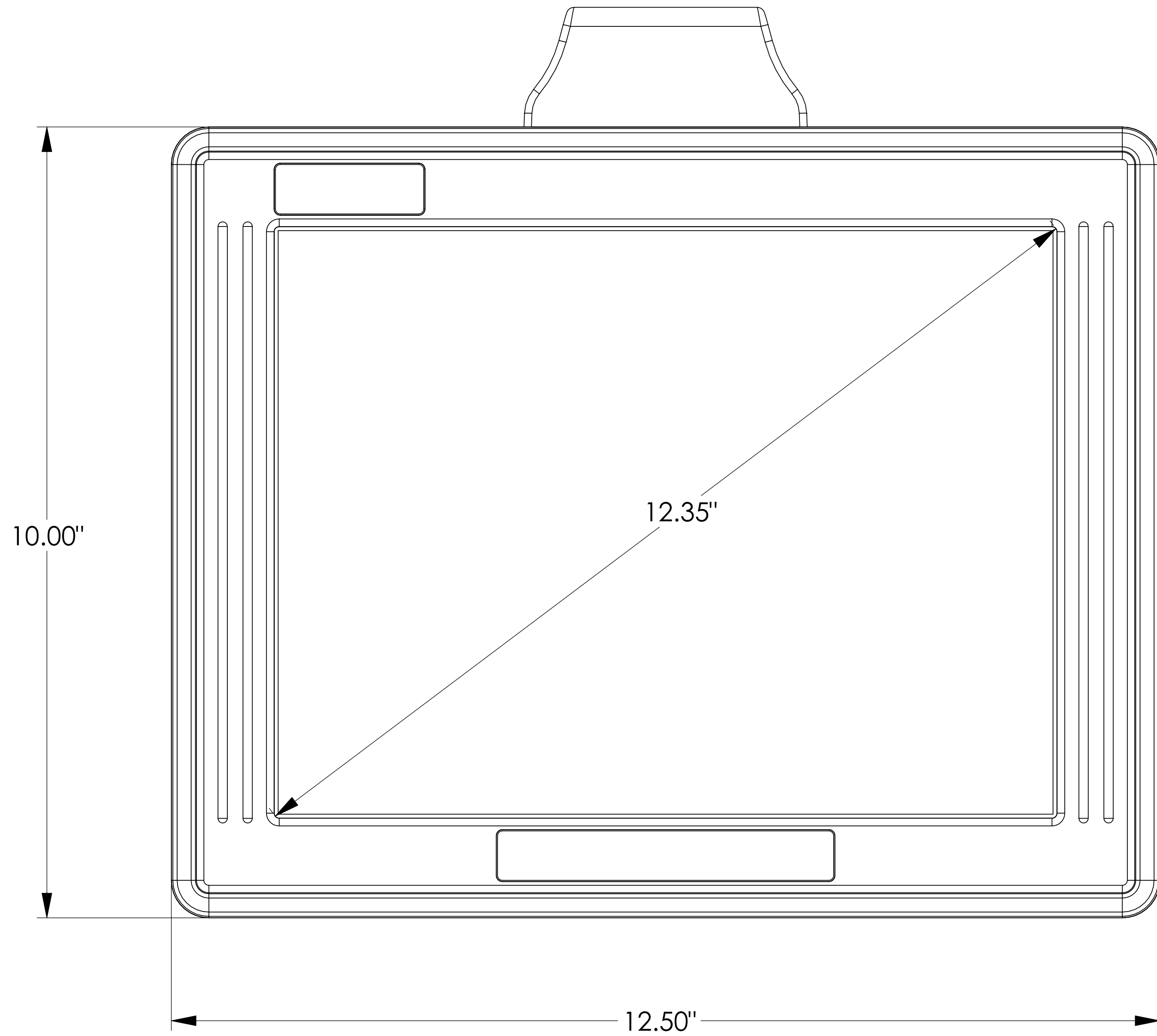
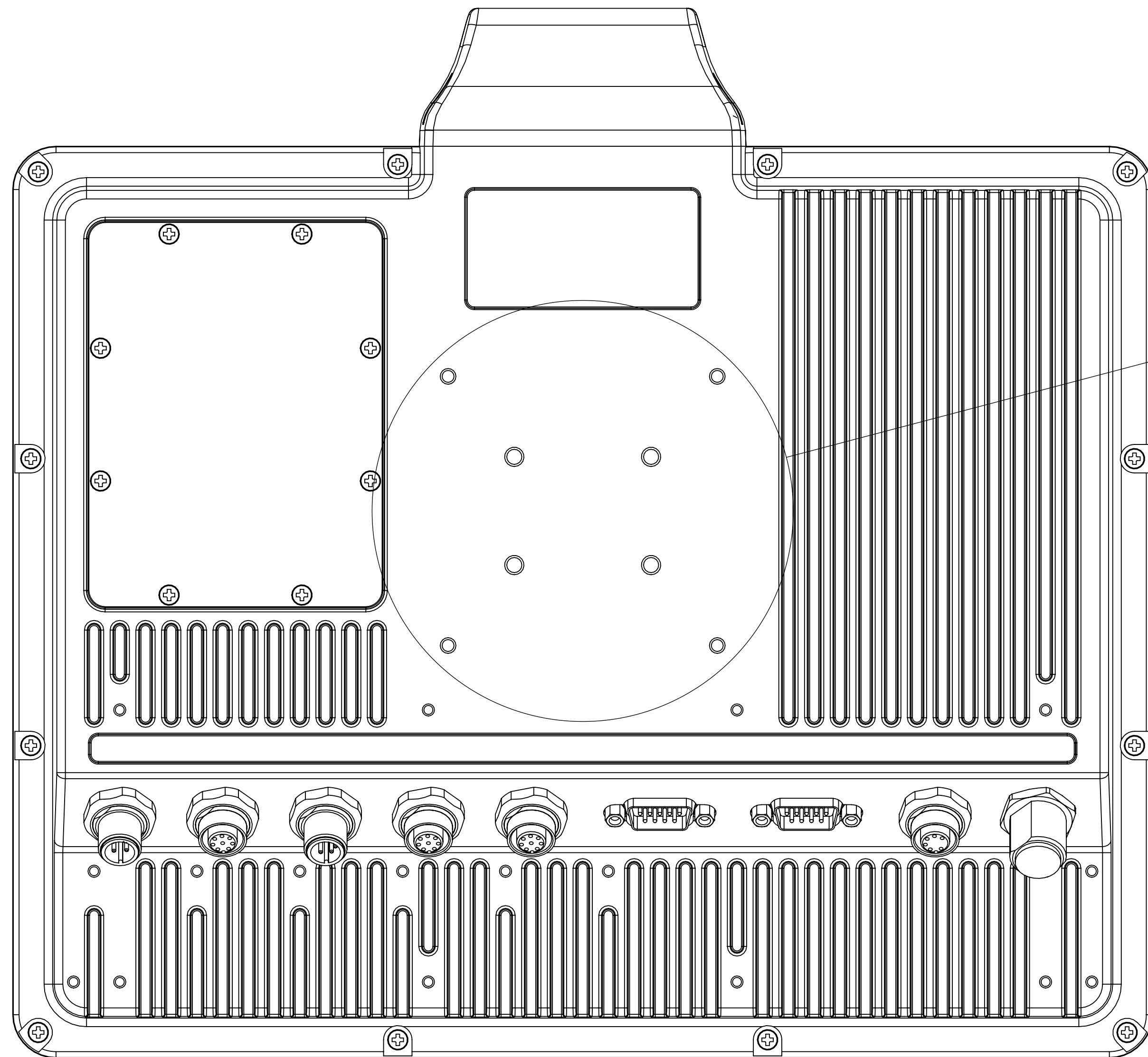


LTR	DATE	ECO	DESCRIPTION	DRAWN	ENGRG	ENGRG MANAGER
1	02-02-12		RELEASE VERSION-1	DRS	DRS	



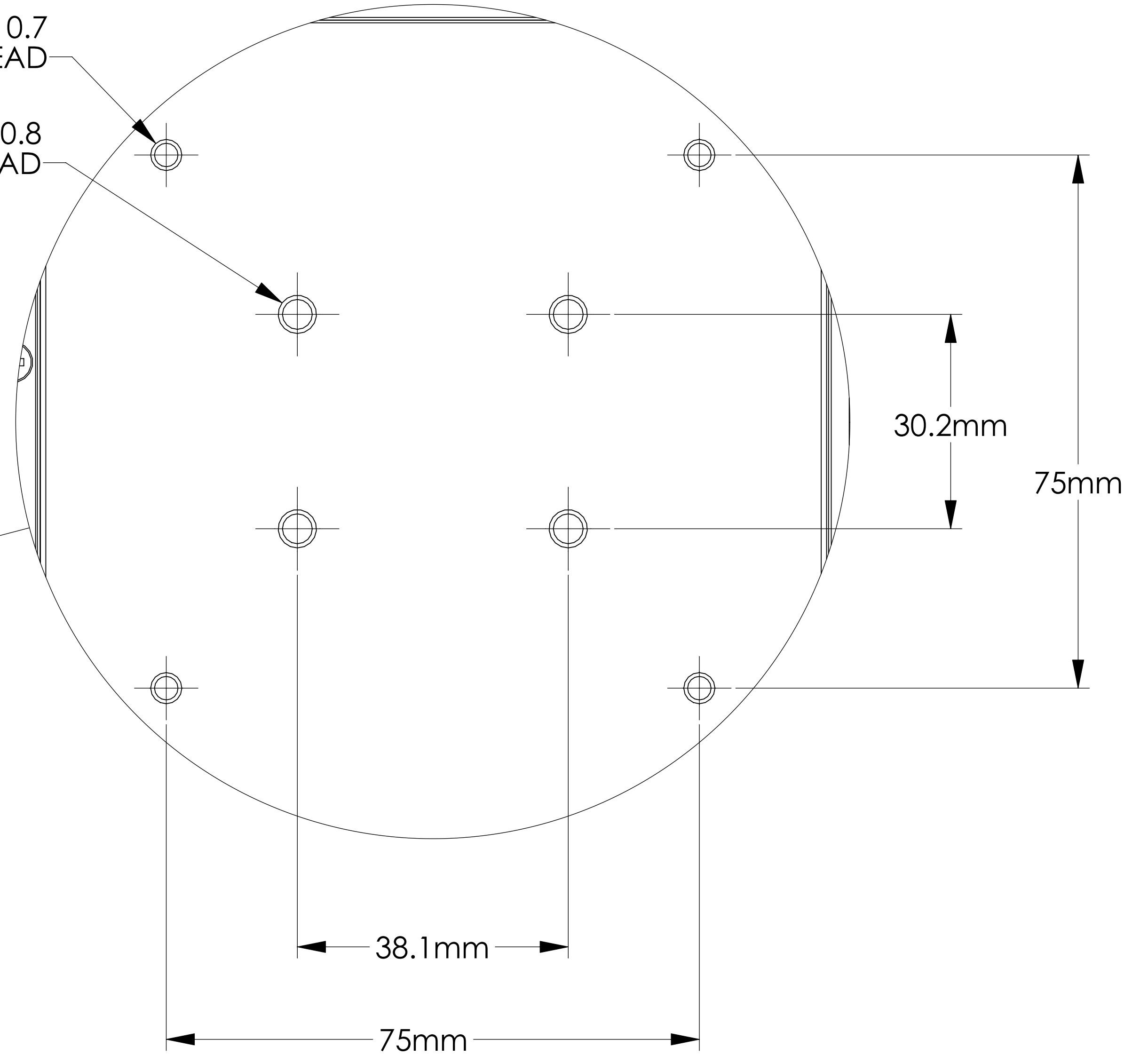
ITEM NO.	QTY. REQD.	FSCM NO.	PART OF IDENTIFYING NO.	NOMINCLATURE OR DESCRIPTION	MATERIAL SPECIFICATION
PARTS LIST					
UNLESS OTHERWISE SPECIFIED, TOLERANCES ARE:				MATERIAL	
LINEAR		INCH			
XXX	±	.005		±	.030
XX	±	.010		±	.100
X	±	.030		±	.300
	±	.060		±	1.000
ANGULAR	±	0.5°		±	0.5°
SURFACE	63	μ INCH		1.6	μ m

		THIS DRAWING CONTAINS CONFIDENTIAL INFORMATION PROPRIETARY TO CITADEL COMPUTER CORPORATION. IT MUST NOT BE REPRODUCED OR DISCLOSED TO OTHERS OR USED IN ANY OTHER WAY, IN WHOLE OR IN PART, EXCEPT AS AUTHORIZED IN WRITING BY CITADEL COMPUTER CORPORATION.	
CITADEL COMPUTER CORPORATION		CITADEL COMPUTER CORP. 60A State Route 101A, Amherst NH	
DRAWING NAME			
NetFORCE-12 Mechanical Diagram			
SIZE	FSCM NO.	DWG. NO.	REV.
D		NF-12 MCH1-V1	1
SCALE	1:1	DO NOT SCALE DRAWING	SHEET 1 of 3



4X M4 X 0.7
MOUNTING THREAD

4X M5 X 0.8
MOUNTING THREAD



4

3

2

1

D

D

C

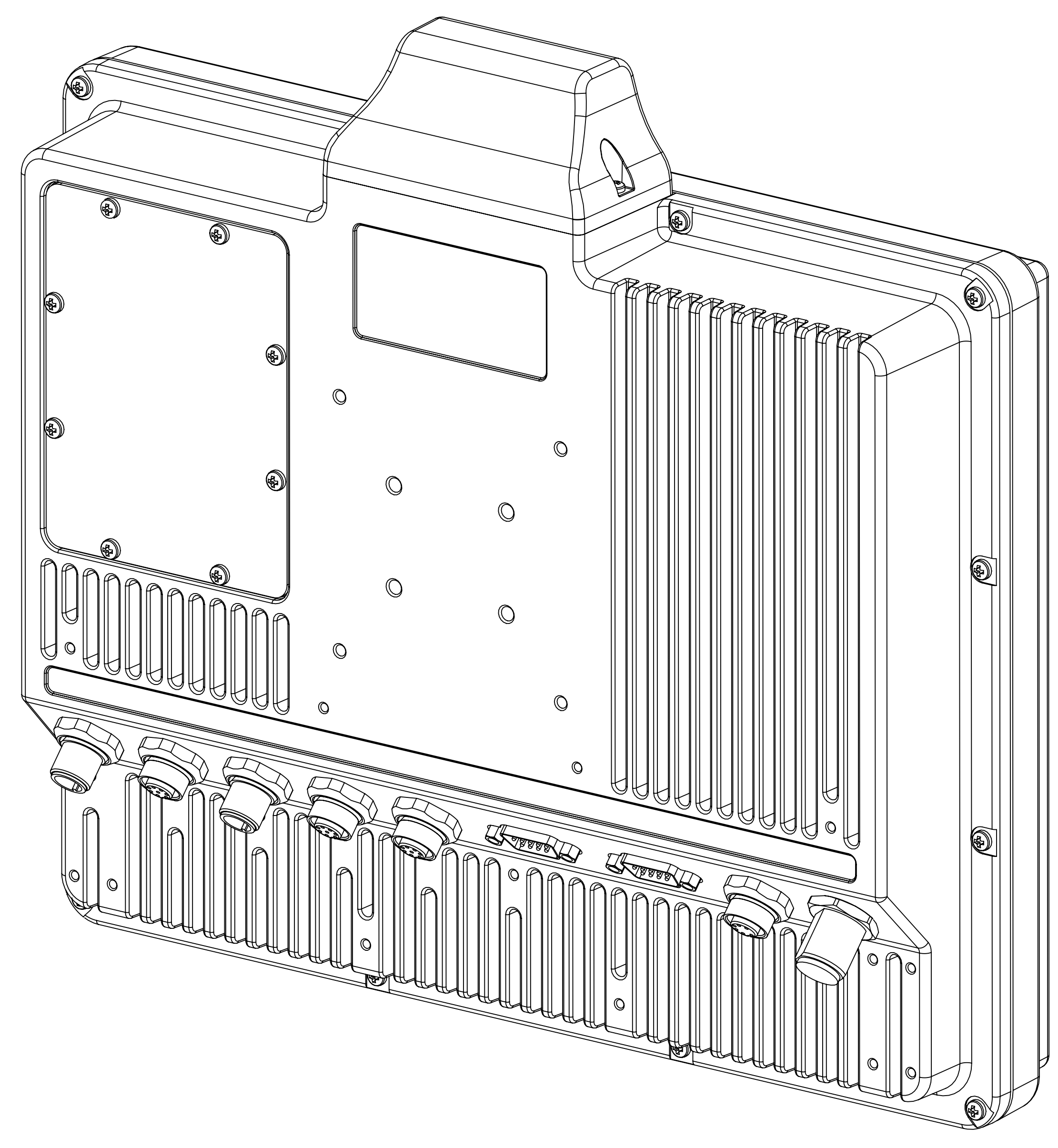
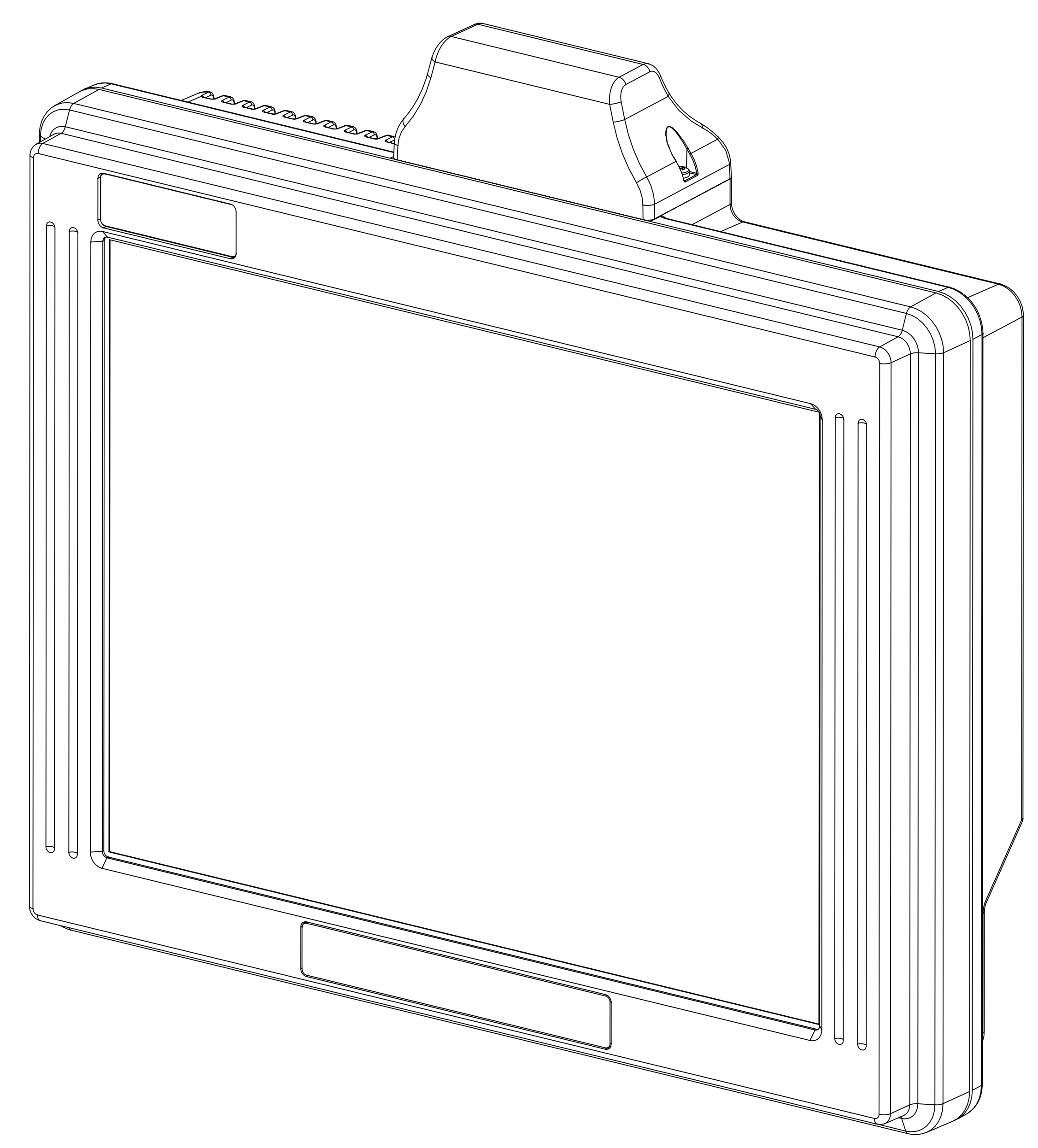
C

B

B

A

A



CITADEL COMPUTER CORPORATION		CITADEL COMPUTER CORP. 60A State Route 101A, Amherst NH	
DRAWING NAME NetFORCE-12 Mechanical Diagram			
SIZE D	PSCM NO.	DWG. NO. NF-12 MCH1-V1	REV. 1
SCALE 1:1	DO NOT SCALE DRAWING		SHEET 3 of 3

4

3

2

1

DWG. NO.

REV.