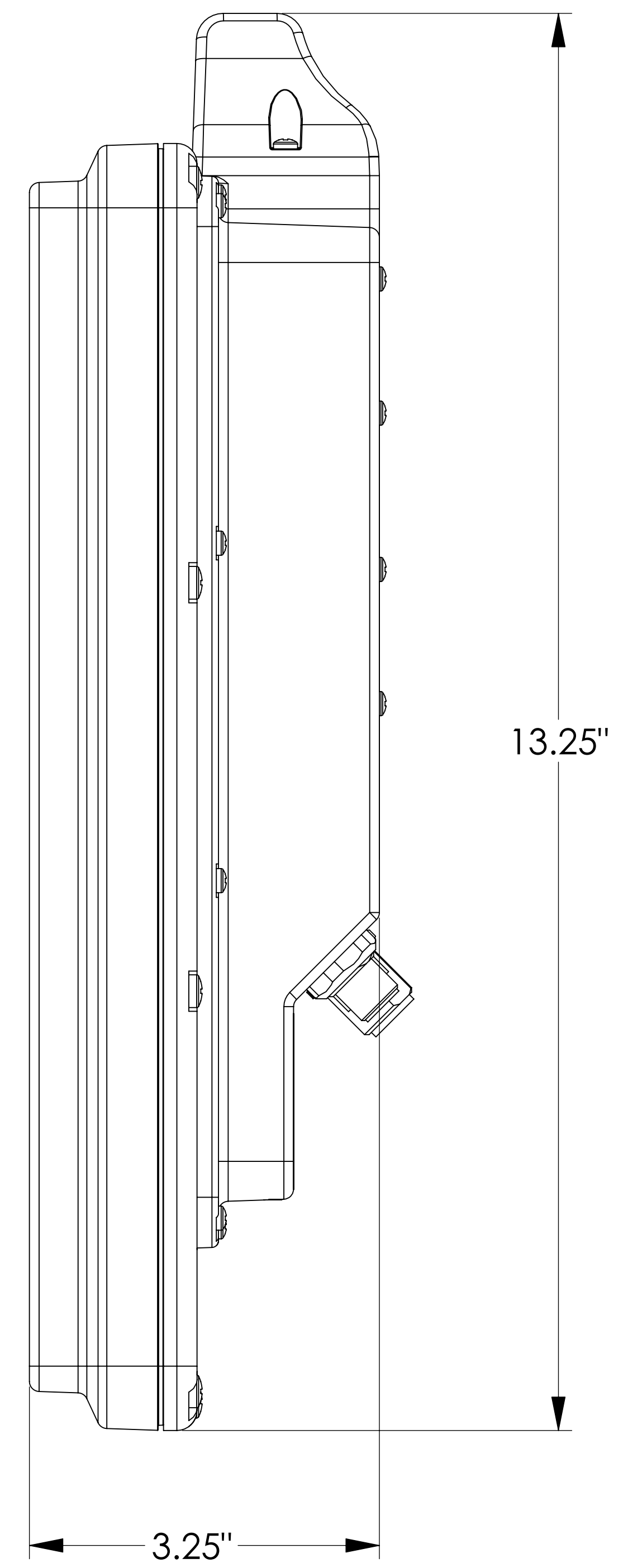
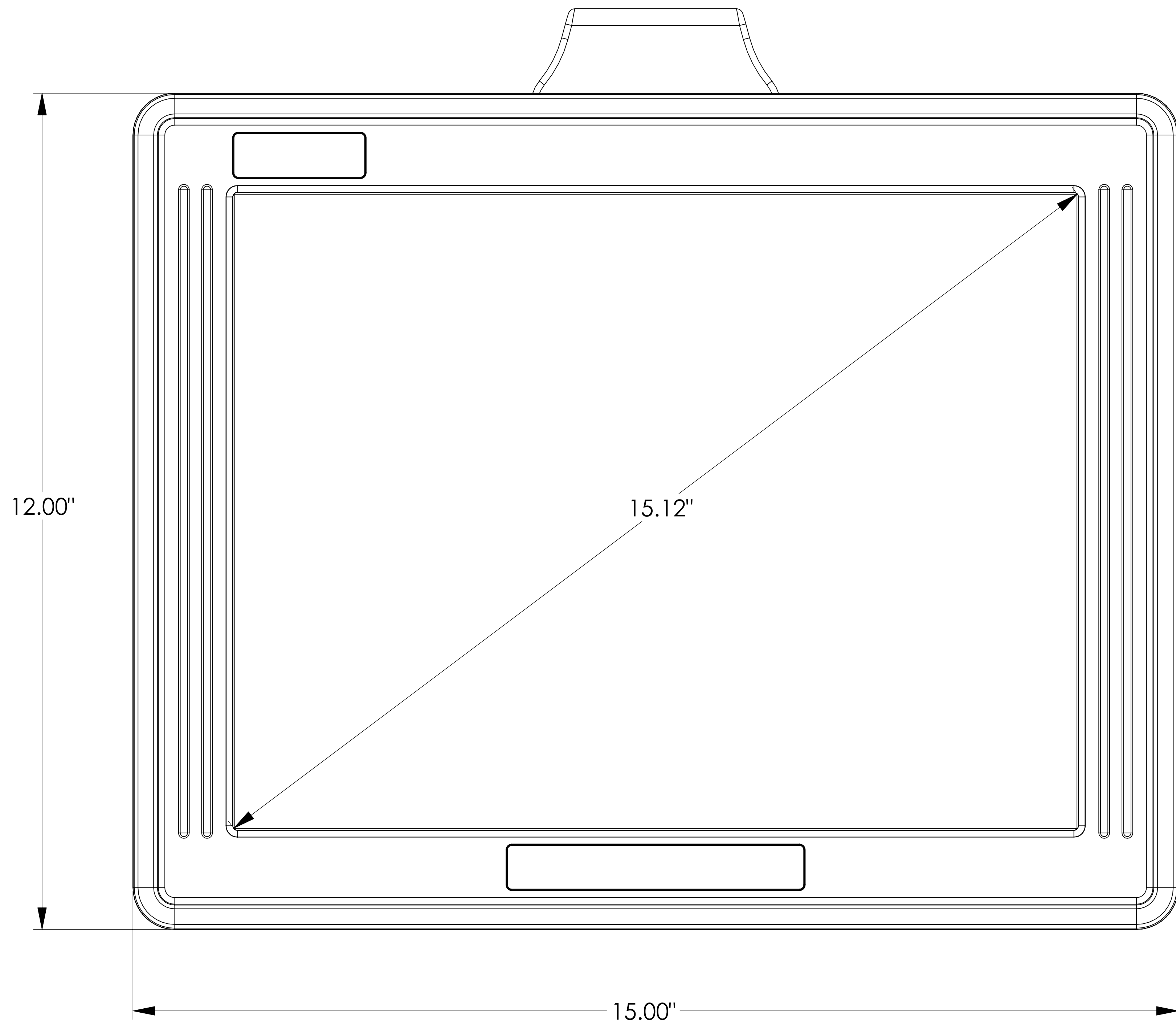
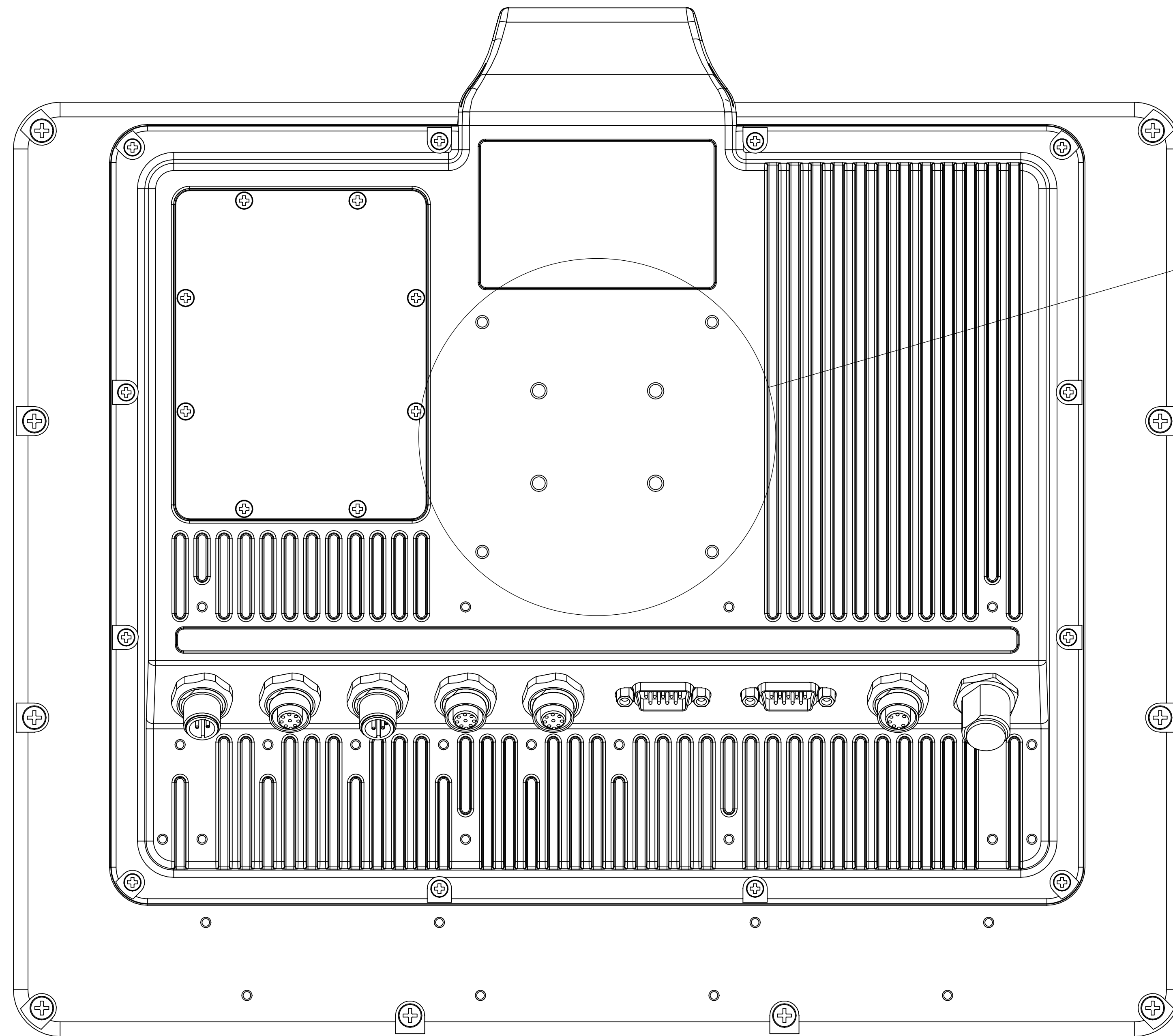


LTB	DATE	ECO	DESCRIPTION	DRAWN	ENGRG	ENGRG MANAGER
1	02-02-12		RELEASE VERSION-1	DRS	DRS	

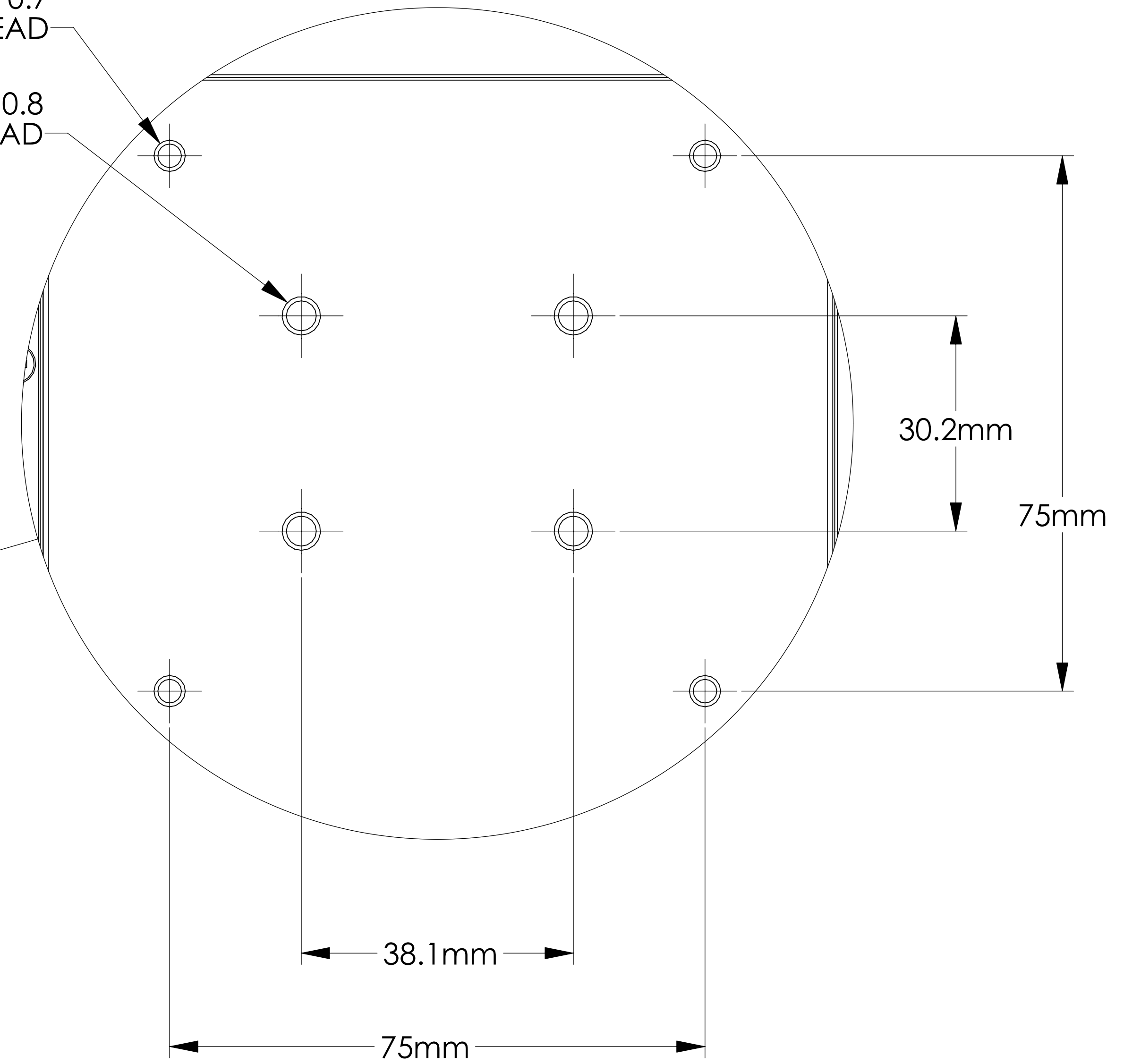


ITEM NO.	QTY. REQD.	FSCM NO.	PART OF IDENTIFYING NO.	NOMINCLATURE OR DESCRIPTION	MATERIAL SPECIFICATION
PARTS LIST					
UNLESS OTHERWISE SPECIFIED, TOLERANCES ARE:					
LINEAR		INCH		MILLI	MATERIAL
X.XXX	±	.005		± .030	
X.XX	±	.010		± .100	
X.X	±	.030		± .300	
X	±	.060		± 1.000	
ANGULAR	±	0.5°		± 0.5°	
SURFACE		63 μ INCH		1.6 μ m	
THIRD ANGLE PROJECTION					
CITADEL <small>COMPUTER CORPORATION</small>				CITADEL COMPUTER CORP. 60A State Route 101A, Amherst NH	
THIS DRAWING CONTAINS CONFIDENTIAL INFORMATION PROPRIETARY TO CITADEL COMPUTER CORPORATION. IT MUST NOT BE REPRODUCED OR DISCLOSED TO OTHERS OR USED IN ANY OTHER WAY, IN WHOLE OR IN PART, EXCEPT AS AUTHORIZED IN WRITING BY CITADEL COMPUTER CORPORATION.					
DRAWING NAME			REV.		
NetFORCE-15 Mechanical Diagram			1		
SIZE	FSCM NO.	DIWG. NO.	NF-15 MCH V1		
D					
SCALE	1:1	DO NOT SCALE DRAWING	SHEET 1 of 3		



4X M4 X 0.7
MOUNTING THREAD

4X M5 X 0.8
MOUNTING THREAD



4

3

2

1

D

D

C

C

B

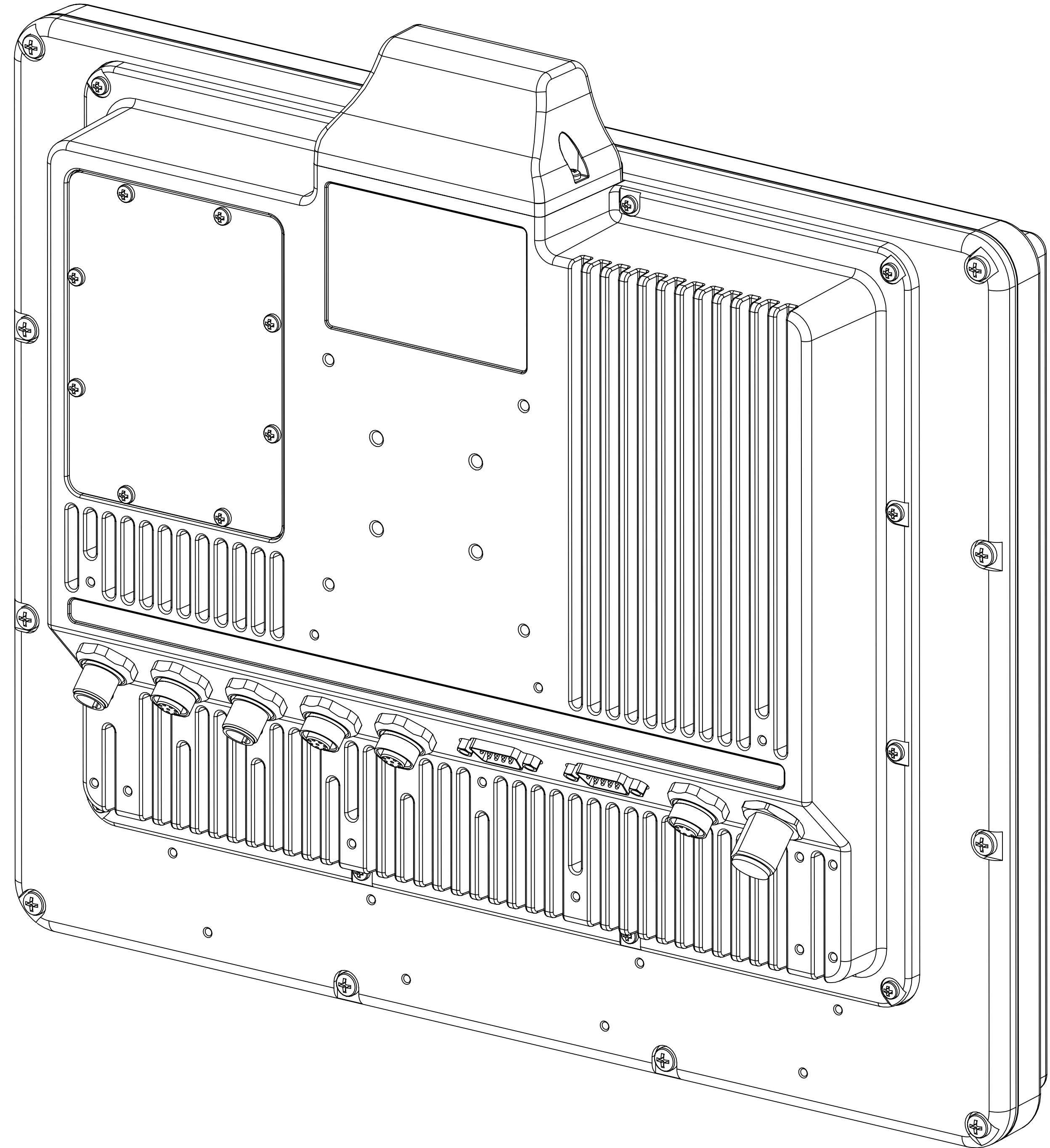
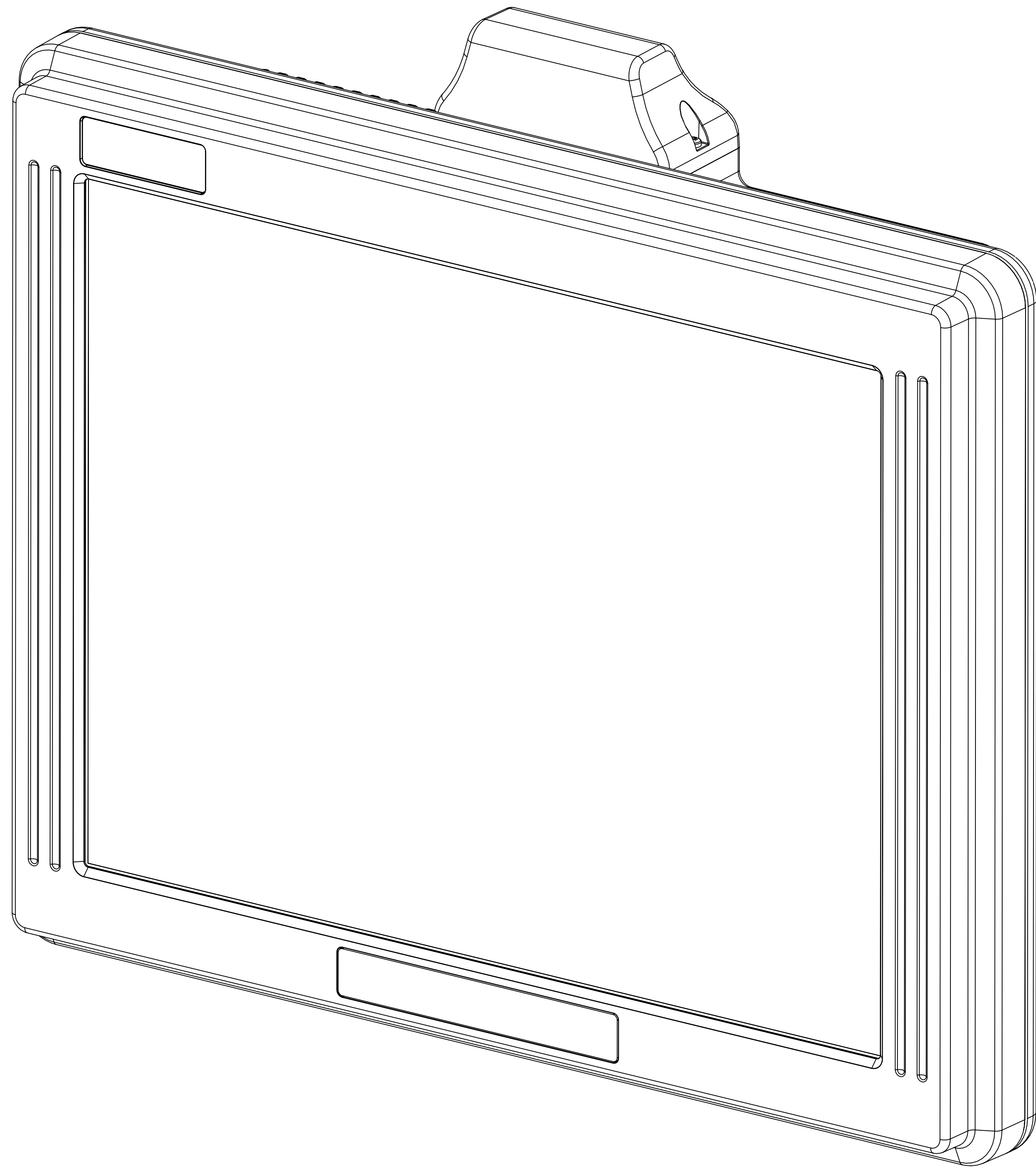
B

A

A

DWG. NO.

REV. 1



4

3

2

1

CITADEL COMPUTER CORPORATION		CITADEL COMPUTER CORP. 60A State Route 101A, Amherst NH	
DRAWING NAME NetFORCE-15 Mechanical Diagram			
SIZE D	PSCM NO.	DWG. NO. NF-15 MCH V1	REV. 1
SCALE 1:1	DO NOT SCALE DRAWING		SHEET 3 of 3